



Modern design, highly functional wheeled floor stand for touch screens.

For touch screens up to 100 Kg Audipack offers this floor stand on wheels. A modern and timeless design that has much to offer. Many types of touch screen can be fitted directly to the trolley with its various VESA mounting holes.

The beautiful finish and airy design make this trolley a pleasure to use. Even the speed with which the touch screen is lifted and lowered, feels natural and improves the user comfort.

The trolley is supplied with a mini PC cabinet behind the screen for a safe and secure use of your PC.

- ▲ **Plug and play**
- ▲ **Standard with mini PC cabinet behind the screen**
- ▲ **Supplied with RJ-45 and IEC C22 connections**
- ▲ **Optional corner protectors for doorposts**
- ▲ **Durable, well designed and slim constructed**



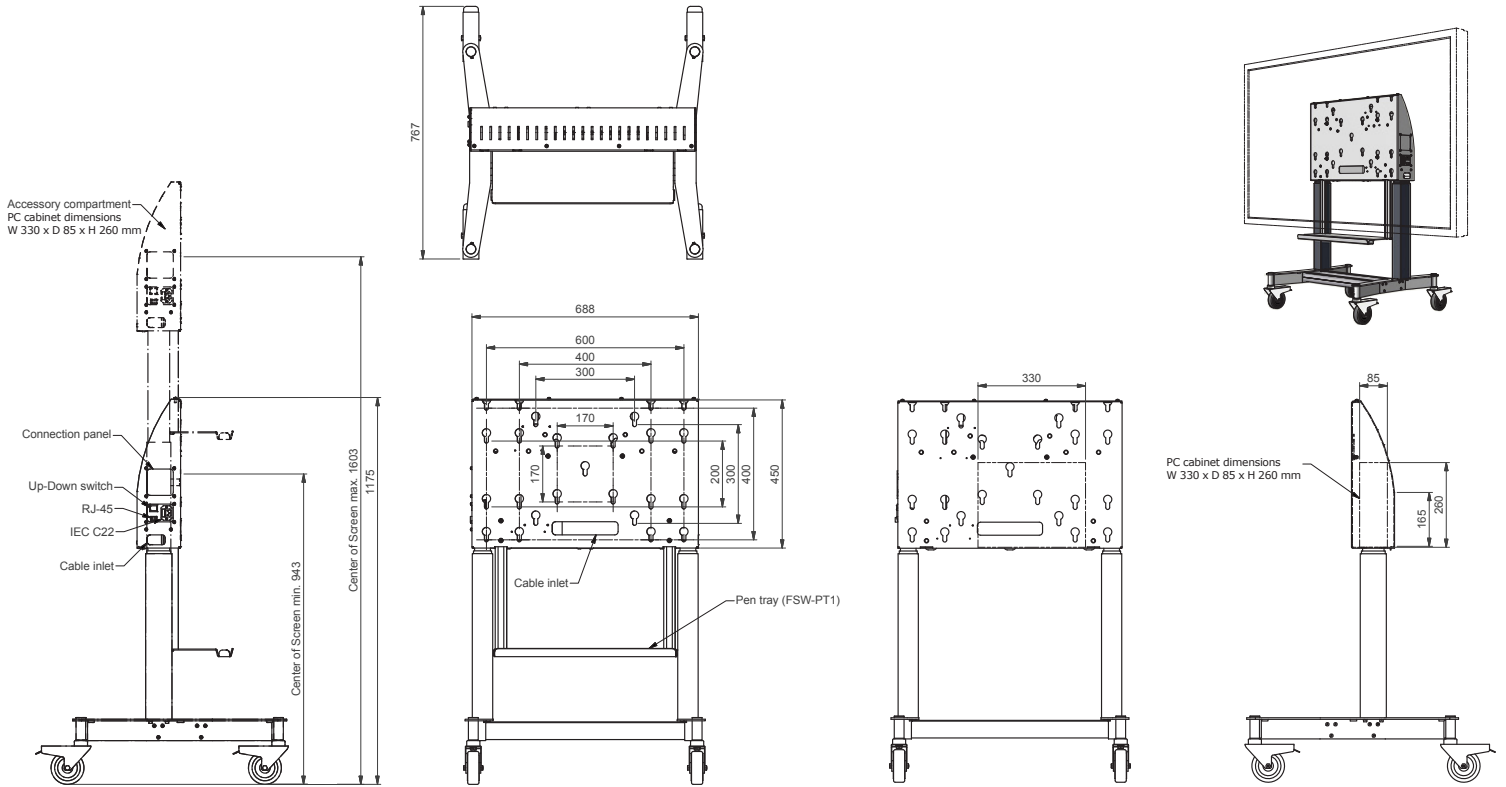


Audipack®

It's great to have solutions...

FACT SHEET

FSW-T100V6



Technical specifications

Max. screen size	height 1520 mm
Presentation height	1603 mm (Centre screen)
Height adjustment	650 mm
Mounting interface	VESA 200, 300, 400,600 and L&S5
Max. load	100 Kg
Colour	Available in white and black
Dimensions	W 688 x D 767 x H 1175-1825 mm
PC cabinet dimensions	W 330 x D 85 x H 260 mm
Screen positioning	Landscape and portrait
Power supply	230 VAC 50-60 Hz/24 VDC

Optional

- Mounting cams for VESA mounting
- Mounting bracket for non-VESA mounting
- Doorpost protectors
- Pen tray - **FSW-PT1**
- PC cabinet - **EC-7**