



**Audipack®**

*It's great to have solutions...*

# FACT SHEET

## TC-IPAD-HA



**Light weight iPad casing. With "HOME" access.**

Light weight theft delay tablet housing for the iPad 1,2 and 3.

Light weight alloy housing that encloses an iPad.  
The tablet is installed inside incl. the dock connector.  
Ideal for using in public places, also with wifi reception.

- ▲ **Home access**
- ▲ **Easy installation**
- ▲ **Easy to combine with wall and table accessories**
- ▲ **Theft delay**



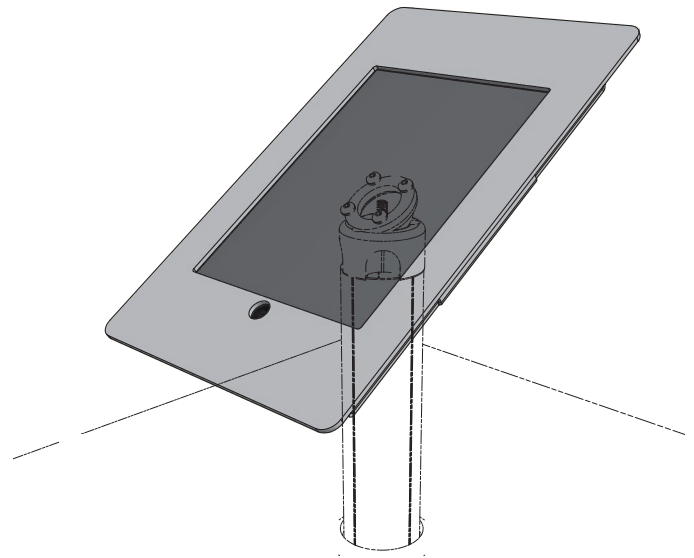
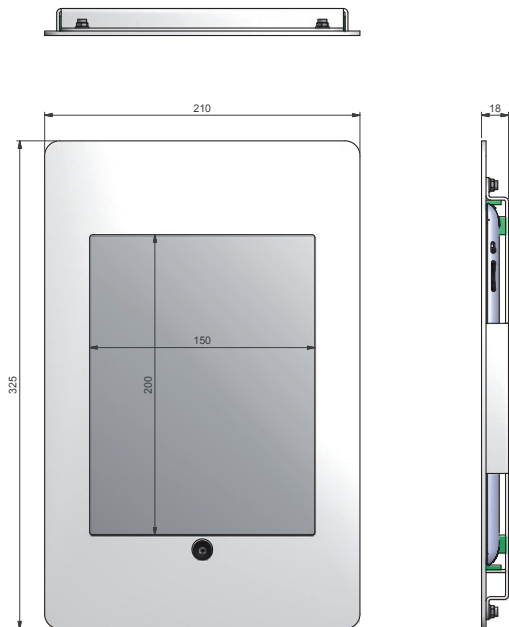


**Audipack®**

*It's great to have solutions...*

**FACT SHEET**

**TC-IPAD-HA**



### **Technical specifications**

Dimensions in mm	W 220 x D 22 x H 321
External access	Home button and camera
Colour	Available in white, grey and black
Suitable for	IPad 1, 2 and 3
Mounting interface	VESA 75 & 100 Audipack ball joint mount

### **Optional**

- Wall mount with angle adjustment
- Floor stand
- Several desk mounts
- Transport case for 5 tablet housings