

### **Video wall trolley, electric height adjustable**

The most easy, quick and flexible way to present with a mobile videowall solution.

Use the electric height adjustable floor stand for 2 stacked screens up to 55 inch. The screens are mounted above each other onto the floor stand. With the push on the button, both screens are lifted to presentation height.

Combine multiple floor stands and create a 2x2 or 2x3 and more videowall at an impressive presentation height. In transport mode the set is compact and, fitting most elevators.

- ▲ **Compact and ergonomic product**
- ▲ **Fits nearly any elevator**
- ▲ **Neat product finishing**



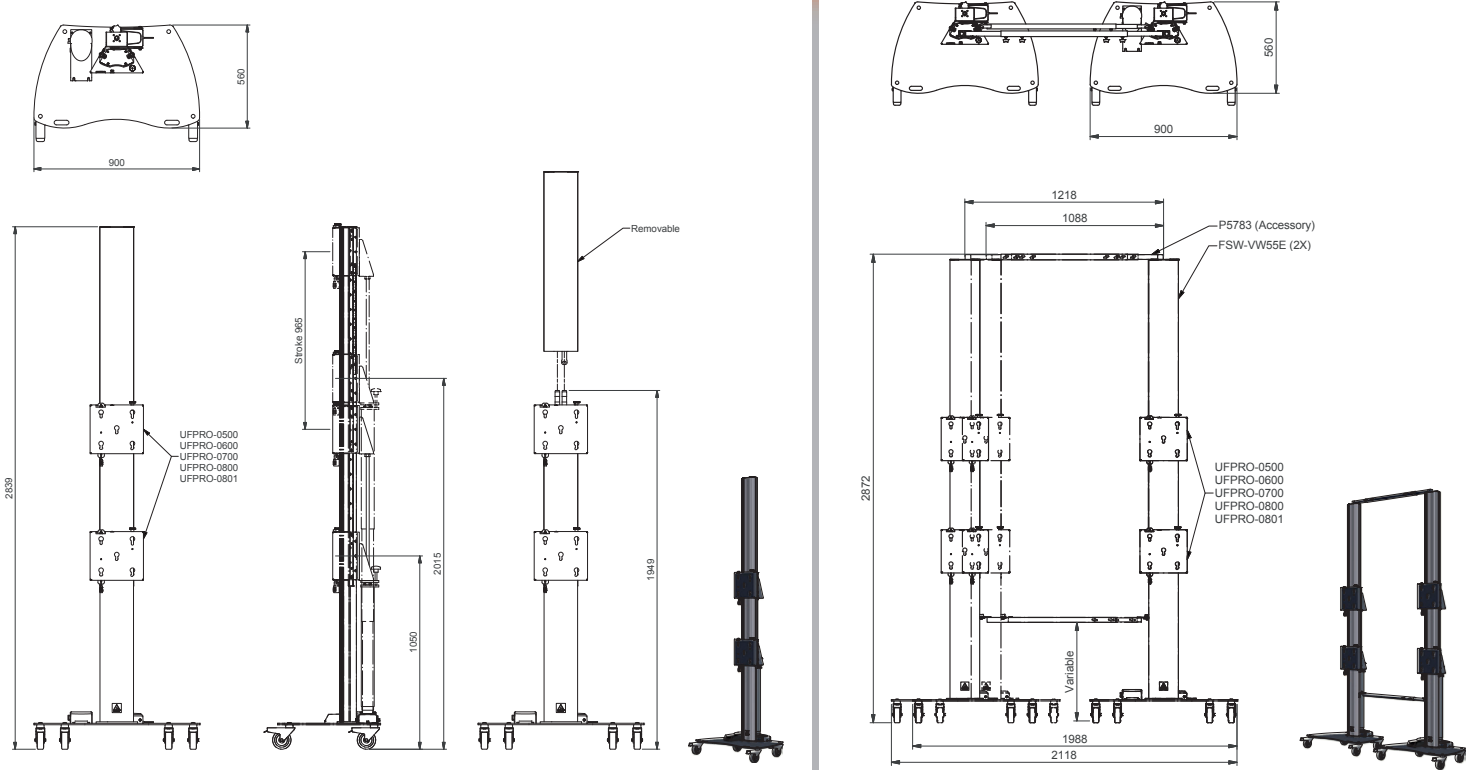


# Audipack®

It's great to have solutions...

# FACT SHEET

## FSW-VW55E



### Technical specifications

Dimensions	W900 x D560 x H2839
Netto stroke in mm	965
Max. screen size	55 inch
Max. load	35 Kg per screen
Presentation height	2250 mm (Centre screens)
Mounting interface	L&S5
Screen positioning	Landscape
Standard colours:	Base frame black RAL 9005 and columns anodized aluminium

### Optional

Connector bar set, to connect several floor stands, **P5783**