



**One of the best dividable floor stand for flat panels up to 60 Kg. No tools needed for assembling. The perfect rental product.**

Flat panel floor stand for rental purposes. The quick release feature allows you to install the floor stand and screen on any location without tools.

The floor stand consists of a strong and solid vertical column, supplied with a wide access hatch on the back for power, audio and data cables.

The presentation height of the flat panel is adjustable. This floor stand is suitable for flat panels with a maximum screen size of 55 inch, in landscape or portrait orientation.

- ▲ **No tools required for installation**
- ▲ **Integrated ruler for screen height positioning**
- ▲ **Integrated yet easily accessible cable channel**
- ▲ **Suitable for all brands of flat panels**
- ▲ **Landscape and portrait orientation of the screen**



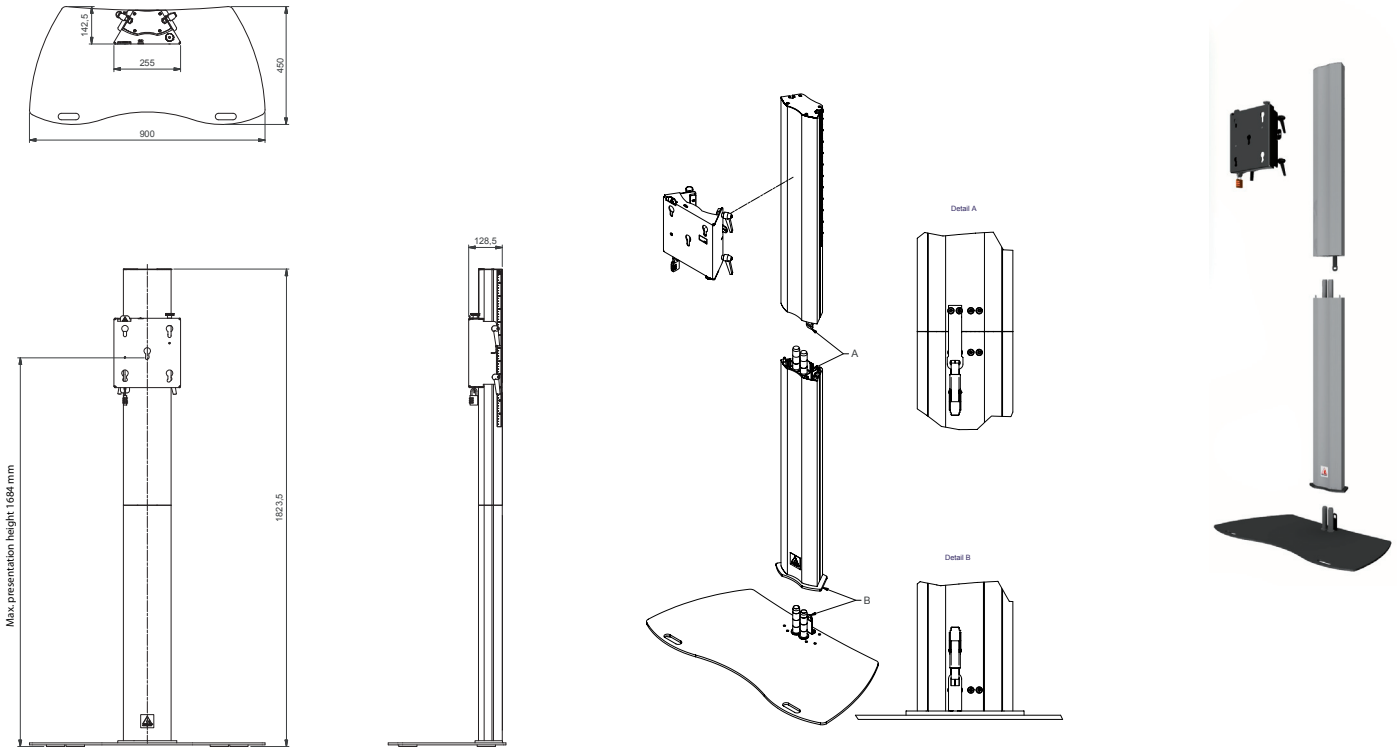


# Audipack®

It's great to have solutions...

# FACT SHEET

## 390901(BK\*)



### Technical specifications

Dimensions in mm	W900 x D450 x H1829
Max. screen size	55 inch
Max. load	60 Kg
Mounting interface	L&S 5
Colour	Floor plate: Black, RAL 9005 Column: Anodized aluminium
Weight	45 Kg
Screen orientation	Landscape or Portrait

### Optional

- Scratch resistant floor plate, 39091BK
- Mounting bracket (required for screen installation)  
*universal models and brand related models available*
- Laptop supports, 390915, 390916
- Laptop housings, 390937
- Camera support, 390931
- Equipment holders, EC-1, EC-1AC, EC-935, EC-936
- Mounting head for multiple screen installation, 390951
- Video conference mounting head, 390969, 390970
- Portrait/Landscape adapter, P3496
- Lock for protect the screen against theft, 230052
- Soundbar mounting interface, LSS-FS900
- Top loader Flightcase for safe transport of the floor stand and screen
- Frontloader Flightcase for floor stand