

NEW



2x



2x



VCF-SL series video conference furniture. A slim and solid furniture suitable for 2 screens and 1 camera.

Innovative and slim furniture for 2 screens. Equipment is easy to install, internal cables neatly organized.

A timeless design that only shows what you want to see.

This furniture offers standard:

- Installation components for installing a Codec and/or other equipment
- Adjustable camera platform

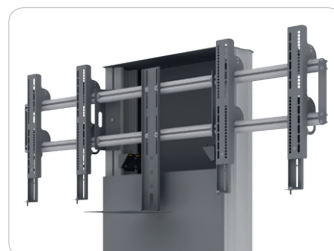
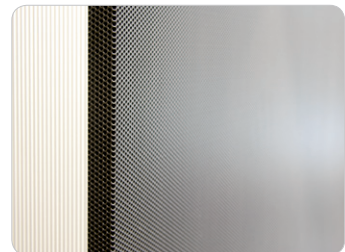
Optional:

- Speaker mounting set underneath the monitors
- 19" codec mounting set
- Active Audipack sound bar system (in cabinet installation)

▲ **Modern and timeless design**

▲ **Suitable for any brand of monitor, codec and camera**

▲ **Generous equipment access by removable rear panel**



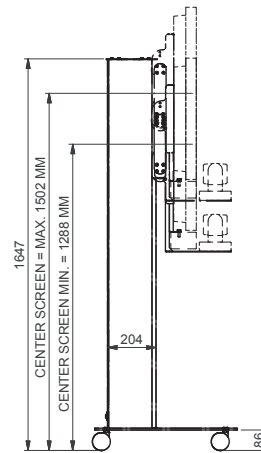
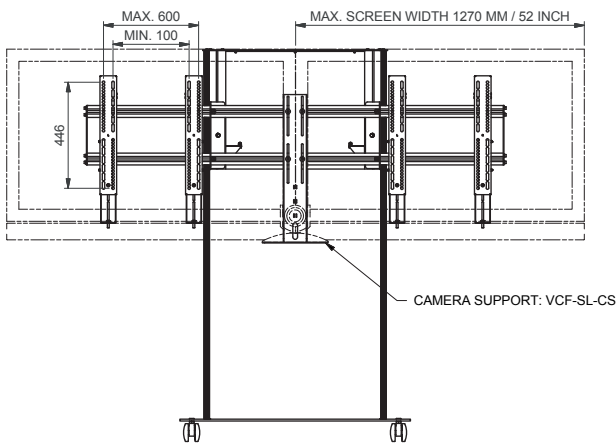
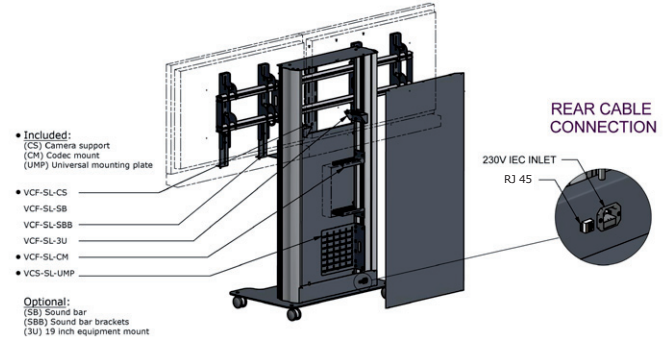
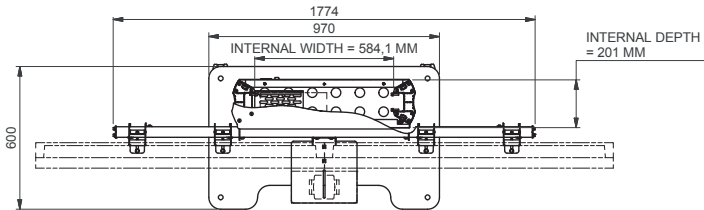


Audipack®

It's great to have solutions...

FACT SHEET

VCF-SL2



Technical specifications

Dimensions in mm	W1774 x D600 x H1647
Presentation height (centre screen)	Min: 1282 Max: 1476
Max. load	2x 60 Kg
Max. screen size	2x 52 inch
Max. mounting range in mm	W600 x H446
Min. mounting range in mm	W100
Colour	Black RAL 9005 Anodised aluminium
Power connection	230V IEC Inlet RJ 45

Optional

- 19" codec mount, *VCF-SL-3U*
- Sound bar brackets, *VCF-SL-SBB*
- Passive Audipack soundbar, *VCF-SL-SB (In cabinet installation)*

Included

- Camera support, *VCF-SL-CS*
- Codec mount, *VCF-SL-CM*
- Universal mounting plate, *VCF-SL-UMP*

Related products

VCF-SL1, Video conference furniture for 1 screen and 1 camera