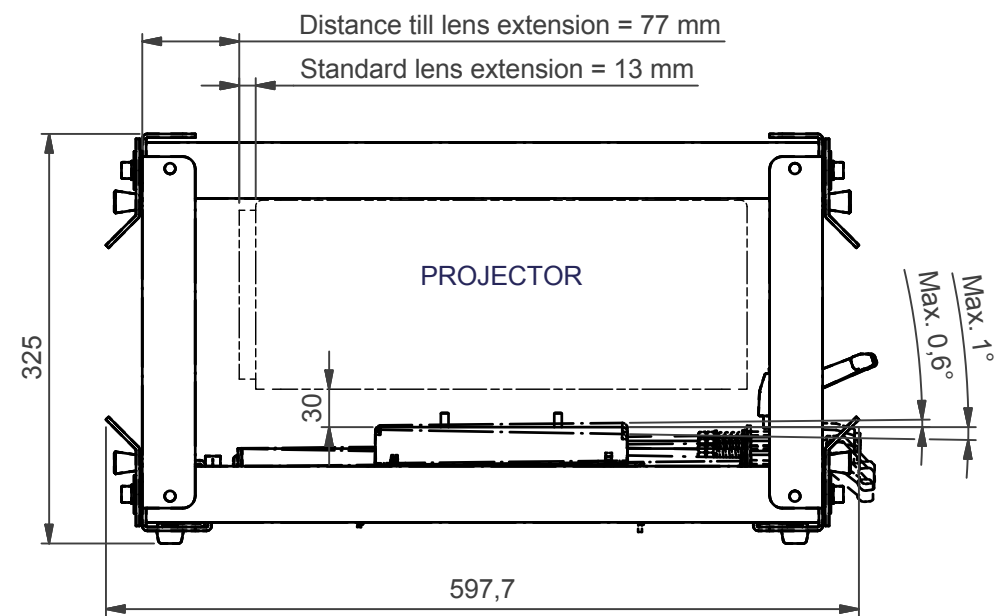
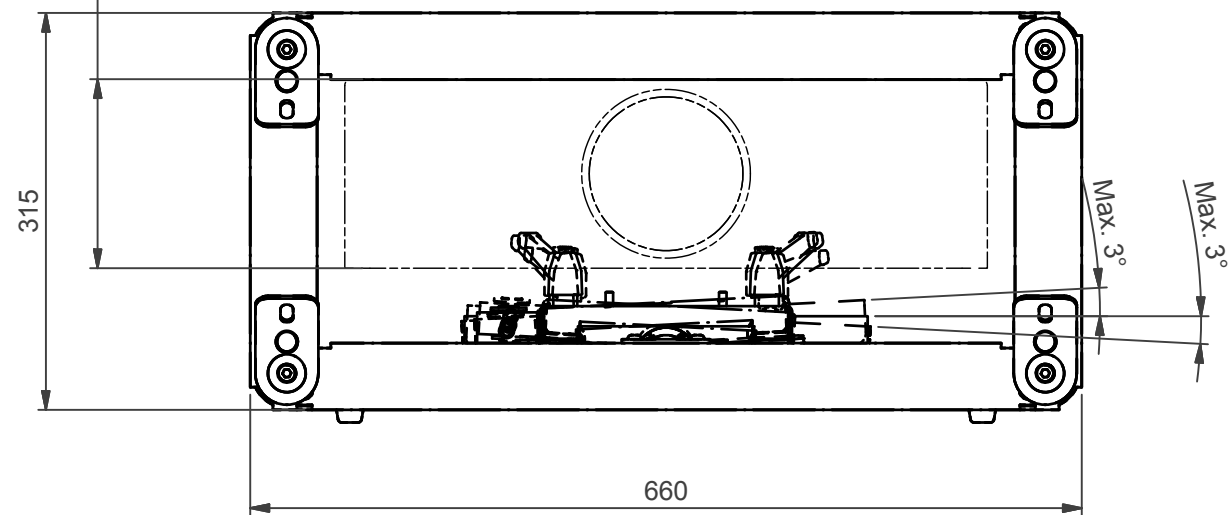


Max. Projector Height = 150 mm



NOTE: All dimensions are ±..., in mm and subject to change

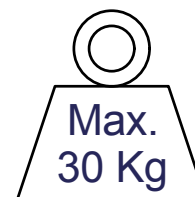
Max. allowed equipment dimensions:

Width (W) = 510 mm

Depth (D) = 390 mm + Lens extension 13 mm

Height (H) = 150 mm

Dimensions are indications, not to be used for any preparations. No rights can be derived from the above dimensions.



© COPYRIGHT AUDIPACK
This print and the information shown thereon, is the property of AUDIPACK.
It may not be delivered to others nor reproduced for general circulation without the written consent of the AUDIPACK engineering department.



AUDIPACK
Industriestraat 2-4
2751 GT Moerkapelle
the Netherlands
Tel: +31(0)795931671
Fax: +31(0)795933115
www.audipack.com

PRESENTATION
PSF-513915

PROJECTOR STACKFRAME