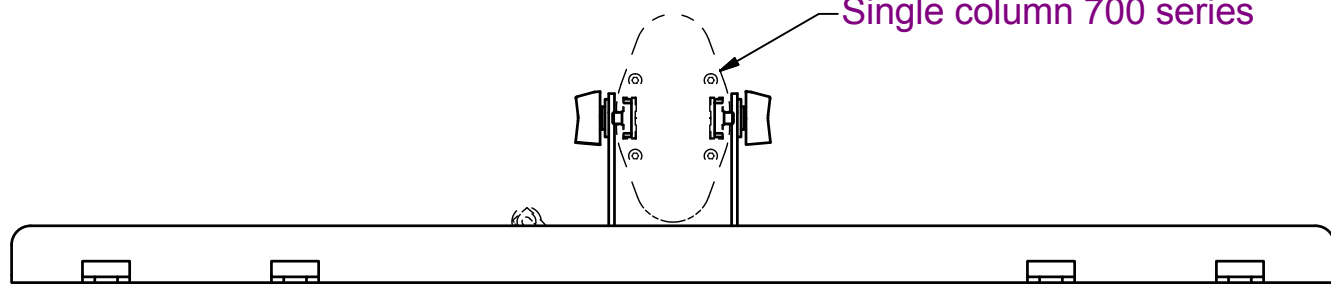
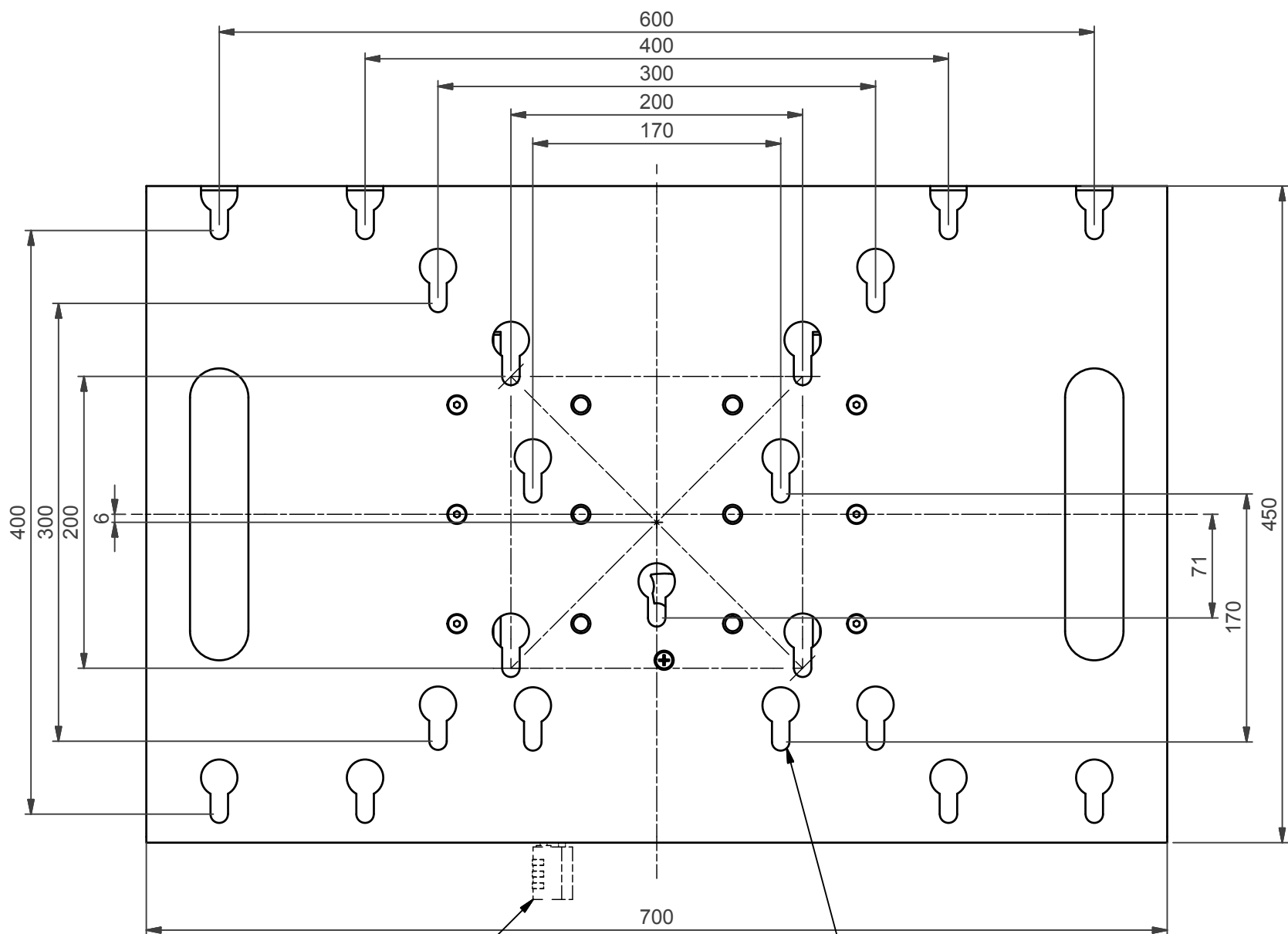
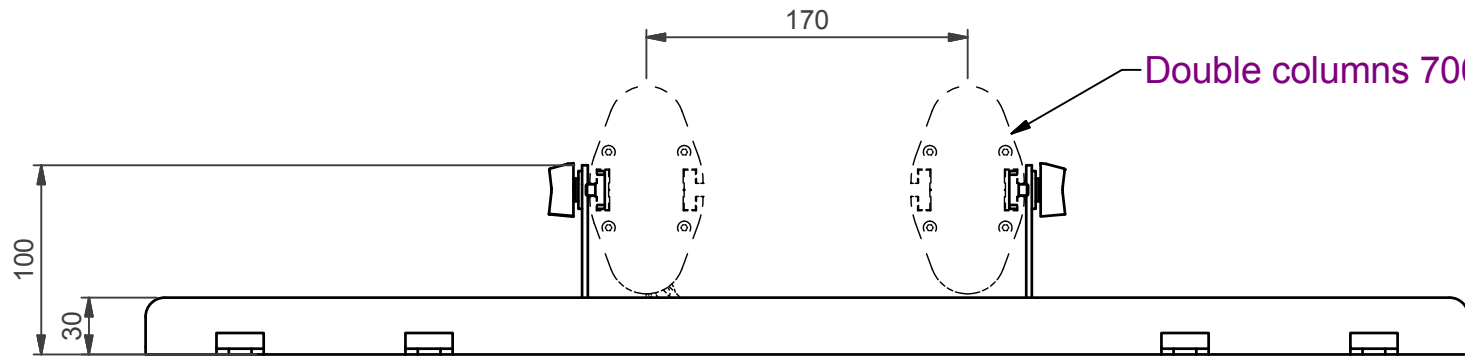


Single column 700 series



Double columns 700 series

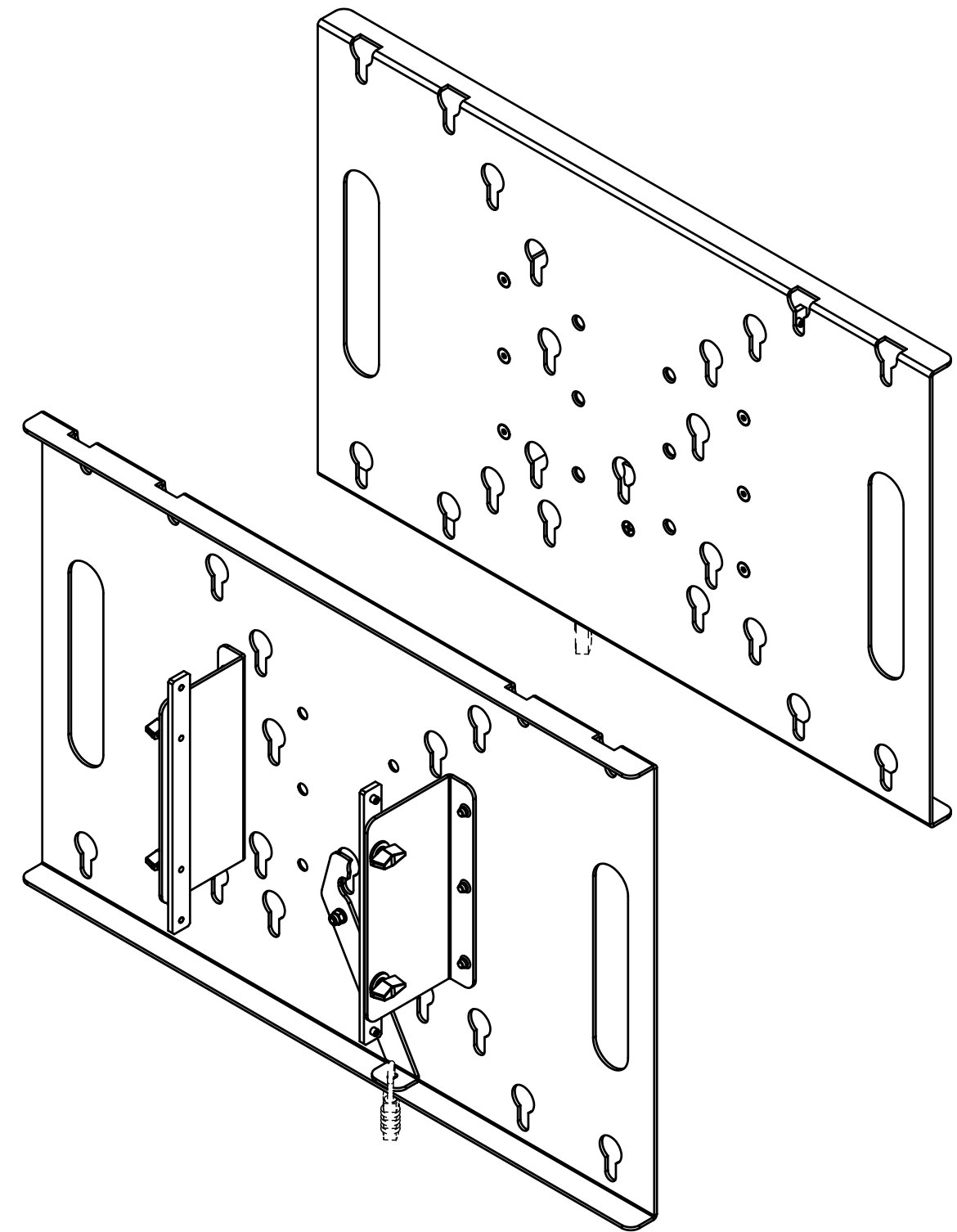


Optional: 230052  
Numeric pad lock

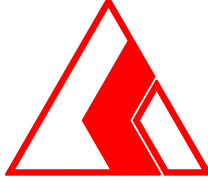
L&S3+5 pattern

This model is suitable for flat panel up to 55 inch

Dimensions are indications, not to be used for any preparations. No rights can be derived from the above dimensions.



NOTE: All dimensions are ±..., in mm and subject to change

<p>© COPYRIGHT AUDIPACK This print and the information shown thereon, is the property of AUDIPACK. It may not be delivered to others nor reproduced for general circulation without the written consent of the AUDIPACK engineering department.</p>	 <p><b>AUDIPACK</b> Industriestraat 2-4 2751 GT Moerkapelle the Netherlands Tel: +31(0)795931671 Fax: +31(0)795933115 www.audipack.com</p>
<p>PRESENTATION 390793</p>	<p>VESA MOUNTING HEAD for single or double 700 SERIES</p>