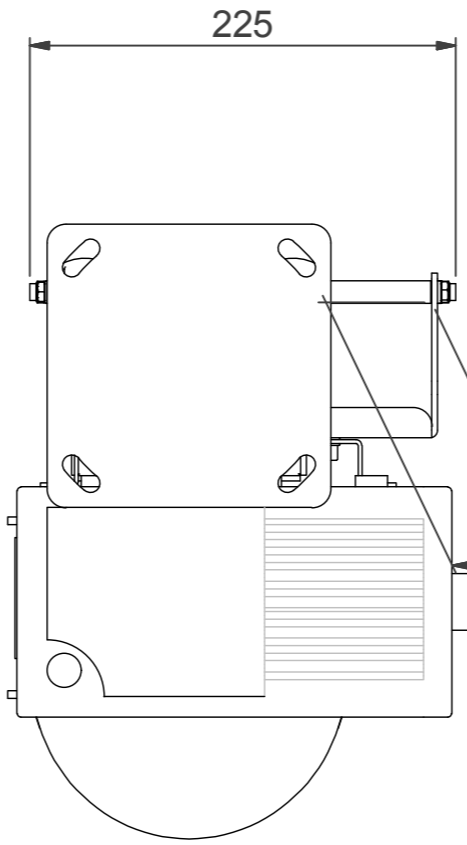
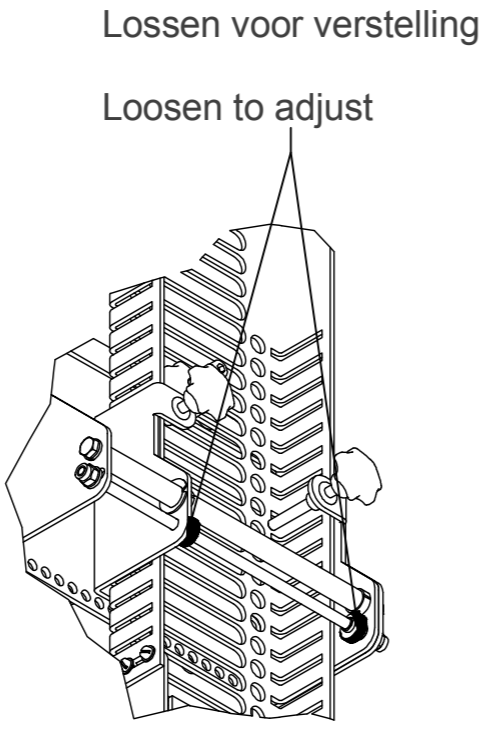


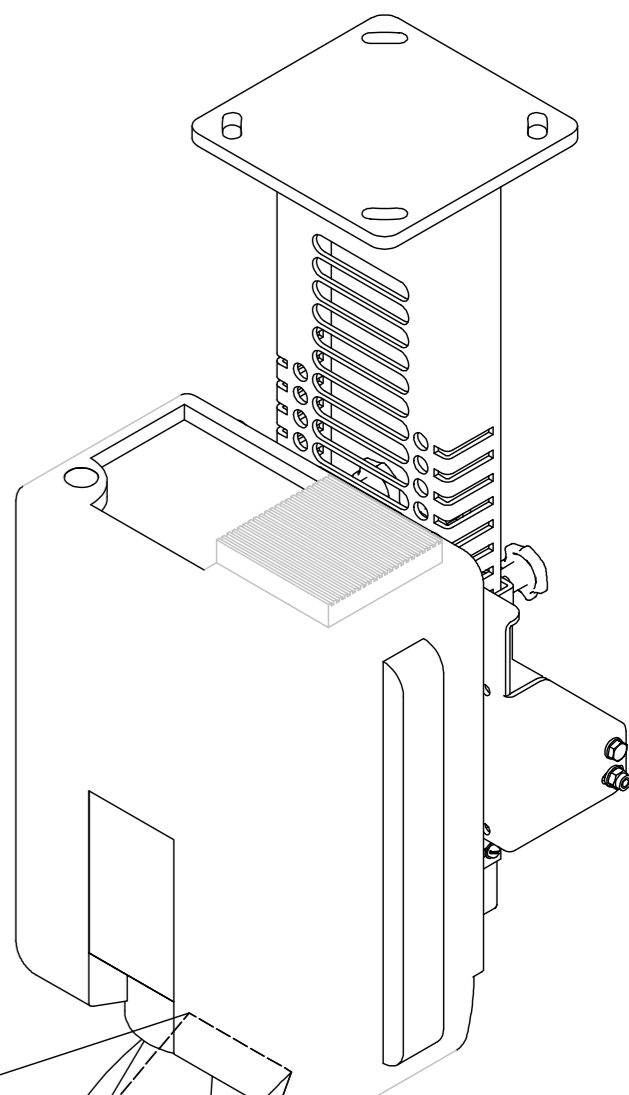
Variabele positie punten voor elke Audipack projector mount, voor juiste afstelling tov spiegel

Variable position points for any Audipack projector mount, for the correct adjustment to the mirror



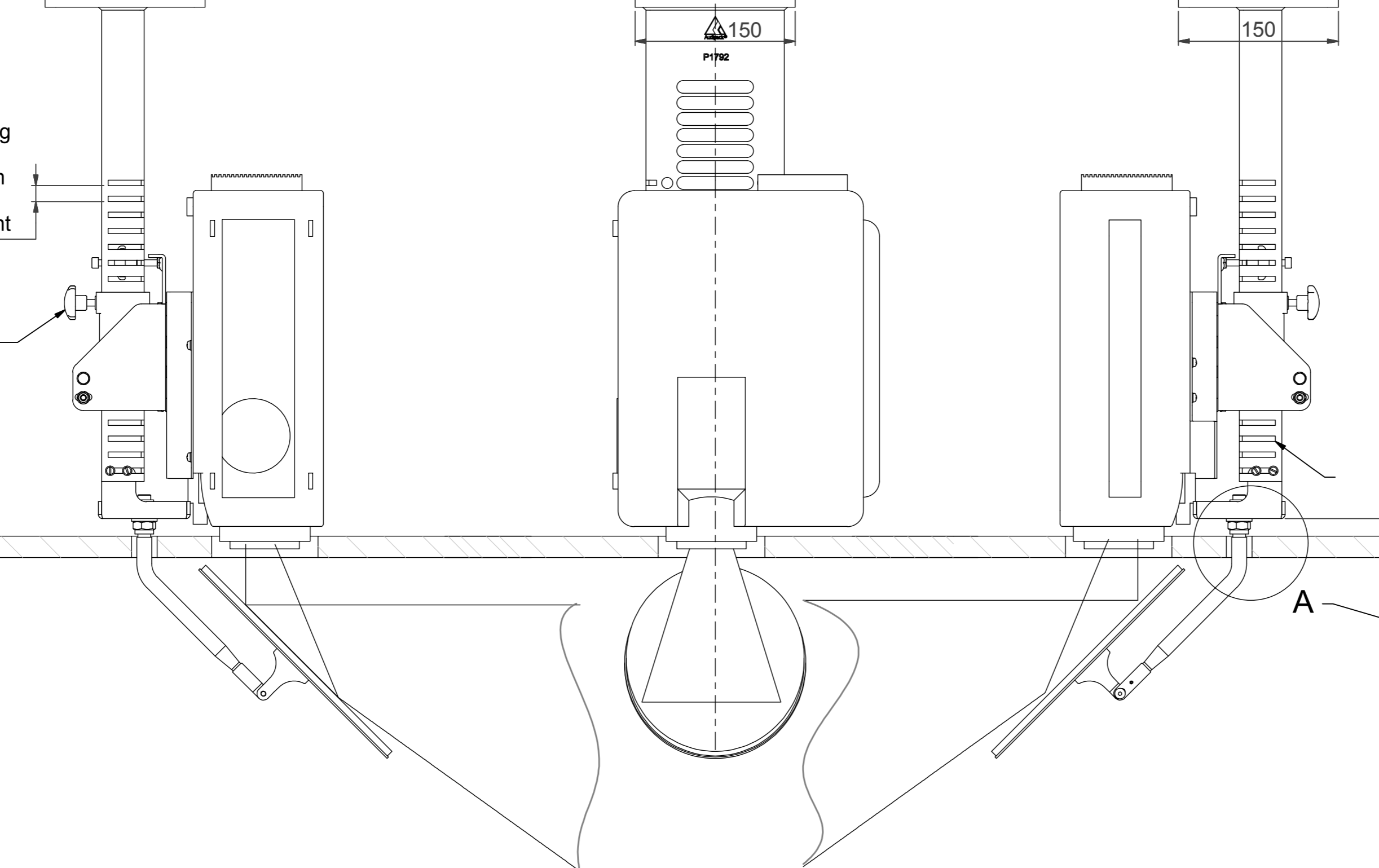
Lineaire verstelling voor het uitlijnen van de projectorlens t.o.v het midden van de spiegel.
56mm Max.

Linear adjustment for positioning the projector lens to the centre of the mirror.

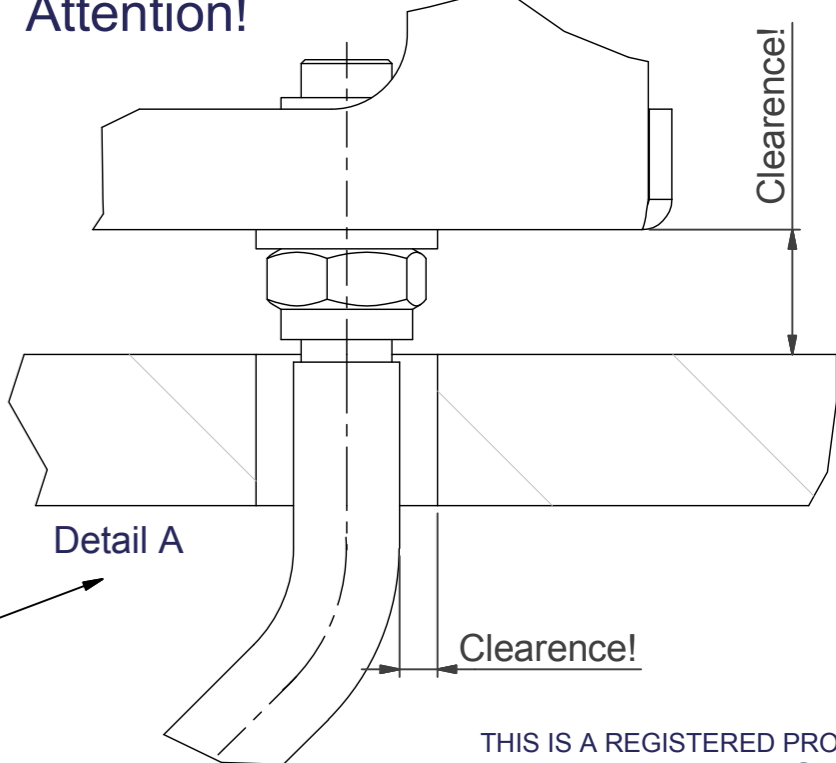


hoogte verstelling
15mm
height adjustment

Projector hoek instelling
2' tot -2'
Projector angle adjustment



Attention!



THIS IS A REGISTERED PRODUCT. PAT. PENDING 2002.

© COPYRIGHT AUDIPACK
This print and the information shown thereon, is the property of AUDIPACK.
It may not be delivered to others nor reproduced for general circulation without the written consent of the AUDIPACK engineering department.



AUDIPACK
Industriestraat 2-4
2751 GT Moerkapelle
the Netherlands
Tel: +31(0)795931671
Fax: +31(0)795933115
www.audipack.com

PATENT PENDING Audipack

MOUNTING GUIDE

P1702 CEILING PROJECTION KIT