

### **Modern design, highly functional trolley floor stand for (touch) screens.**

A rigid trolley special designed for the larger touch screens up to 150 Kg Audipack offers this floor stand on wheels. A modern single column and timeless design that has much to offer.

Many types of touch screens can be fitted directly to the trolley with its various VESA mounting pattern.

The beautiful finish and airy design make this trolley a pleasure to use.



Build-in control button & interface panel



Multi-Vesa mounting interface

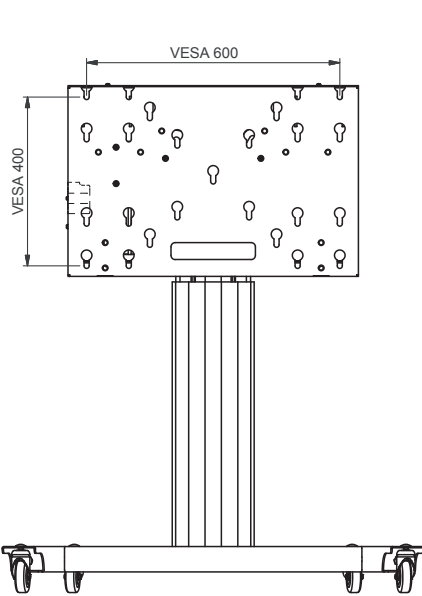


**Audipack**<sup>®</sup>

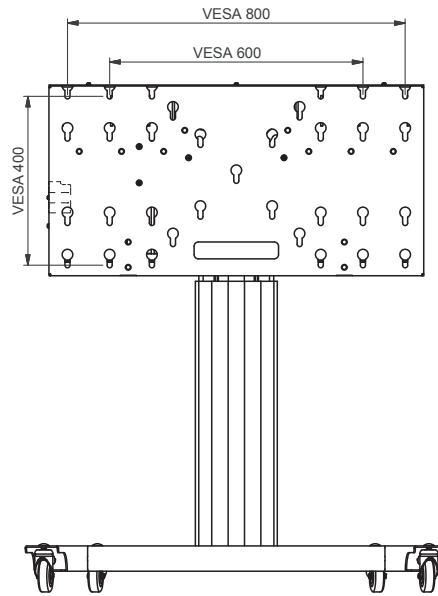
*It's great to have solutions...*

**FACT SHEET**

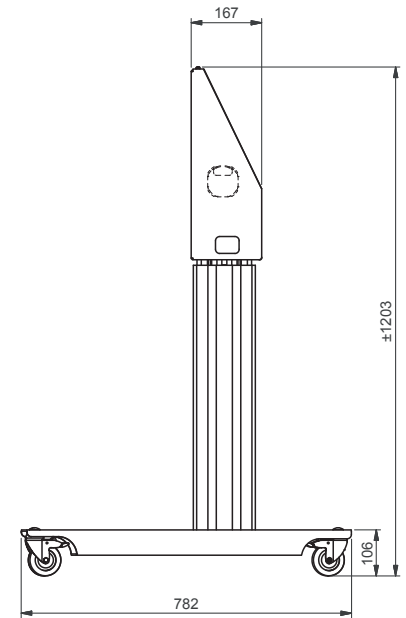
**FSW-T150**



FSW-T150V6



FSW-T150V8



### **Technical specifications**

|                             |                            |
|-----------------------------|----------------------------|
| Max. Load                   | 150 Kg                     |
| Minimum presentation height | ± 975 mm (center screen)   |
| Max. Presentation height    | ± 1460 mm (center screen)  |
| Wheelframe size W x D       | 100 x 782 mm               |
| Max. Vesa interface         | up to 600x400 or 800 x 400 |
| Standard colour             | black & anodized aluminium |
| Power consumption           | 90-230 Volt, 300 Watt      |

### **Optional**

- UFPRO universal mounting bracket (max. 85 Kg)
- Penn tray
- Custom models