



Audipack®

It's great to have solutions...

FACT SHEET

DFS-120E flat screen trolley



Lifting your presentation to a higher level...

The DFS-120E flat panel trolley is the ideal presentation companion for class rooms and meeting rooms.

An integrated lift system enables the user to bring flat panels and touch screens to the preferred height quickly, and because of the wheels the system is easy to manoeuvre to the required position in the room.

With its clean appearance, heavy lifting capacity, VESA mounting points and the possibility to fit an optionally available Audipack soundbar, the DFS-120E offers great flexibility and userfriendliness.



Activation buttons



Multi-Vesa and L&S5 interface



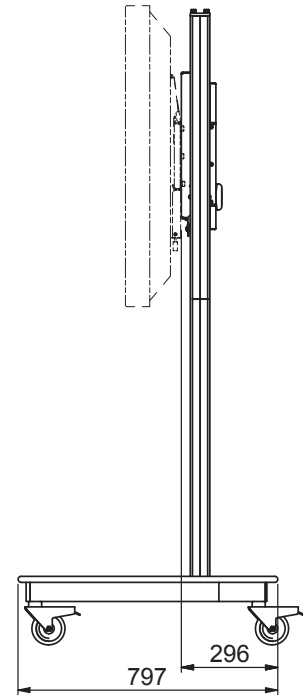
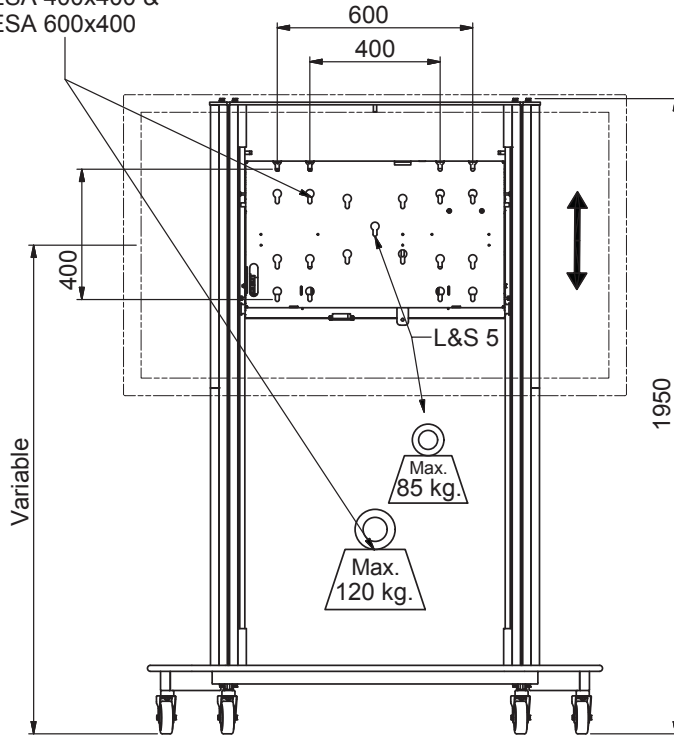
Audipack®

It's great to have solutions...

FACT SHEET

DFS-120E flat screen trolley

VESA 400x400 &
VESA 600x400



Benefits:

- ▲ **Agile trolley stand**
- ▲ **Quick lifting speed for the user**
- ▲ **Rigid but lean construction**
- ▲ **Easy to install and use**

Technical specifications

Max. load	120 Kg
Lifting speed	31 mm/sec, only 21 seconds for the total stroke!
Power supply	230 VAC
Adjustable travel height	700 to 1580 mm (centre screen)
Mounting interface	Standard L&S5 and multi-VESA
Pass through	230 VAC connector

Needed components:

- UFPRO universal mounting bracket
- Mounting cams available in various sizes and threading



Optional

- LSS soundbar system
- Equipment cabinet

