

Stroke
350 mm
-
700 mm

Max. movable frame dimensions:
W490 x D490 mm

The compact light weight projector lift with a max. lift capacity of 10 Kg.

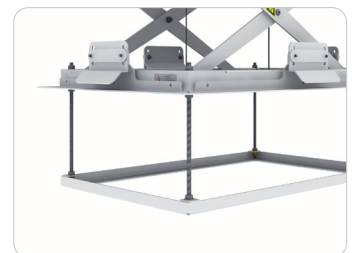
The PCL-X350 ceiling lift is part of Audipack's broad range of projector ceiling lifts.

This range features various models, so choosing the best suited model is easy. With an Audipack ceiling lift, the projector is mounted out of sight over the suspended ceiling and can be positioned for presentations.

The PCL-X350 range is standard equipped with an advanced integrated motorboard having RS-232 connection and is able to program 4 different projector positions.

Conform Audipack's philosophy, the lift is highly reliable, accurate and durable. The PCL-X350 ceiling lift is delivered including a ceiling finishing mask for the suspended ceiling.

- ▲ **Reliable**
- ▲ **Durable**
- ▲ **Very silent lift system**
- ▲ **Low maintenance**
- ▲ **TüV certified**



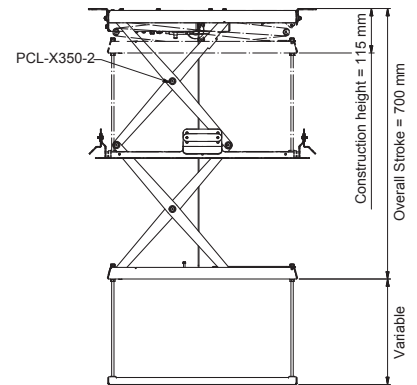
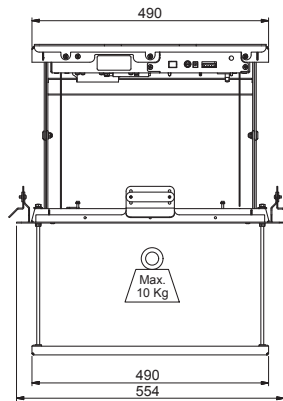
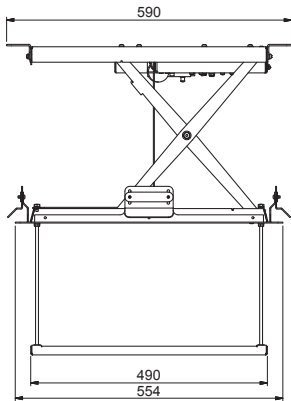
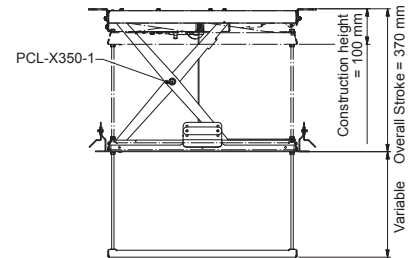
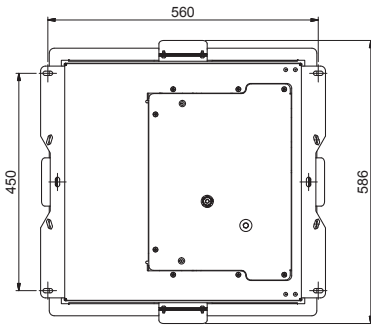


Audipack®

It's great to have solutions...

FACT SHEET

PCL-X350



Technical specifications

PCL-X350-1

Overall stroke in mm	370
Dimensions in mm PCL-X350-1	W 590 x D 490 x H 100
Max. movable frame dimensions in mm	W 490 x D 490
Max. load	10 Kg
Colour	White RAL 9016
Power supply	110-230 VAC 50-60 Hz/24VDC
Connectivity	Contact relay, RS-232

PCL-X350-2

Overall stroke in mm	700
Dimensions in mm PCL-X350-2	W 590 x D 492 x H 115
Max. movable frame dimensions in mm	W 490 x D 490
Max. load	10 Kg
Colour	White RAL 9016
Power supply	110-230 VAC 50-60 Hz/24VDC
Connectivity	Contact relay, RS-232

Optional

Brand related projector mount, required for projector installation	
Universal projector mount, required for projector installation	
Remote control set, available in IR and RF	
Wall switch	261318
Service hatches	P1913 - P5066
Shock absorbers	P5547
Installation aid	P5047
Spacer frames	(custom)