



Audipack®

It's great to have solutions...

FACT SHEET

FS-805V6



The new 800 series floorstands are specially designed to match slim line flat panels.

The 800 series free standing display is designed to cover today's questions. It's a slim line well thought of floor stand offering lots of options and solutions.

The column shape is nicely balanced in size for current slim-line fat panels.

The two hidden cable channels in the column are reachable by the two automatic closing doors. The 800 series column is available in a fixed version and Quick-Release tool-less rental version. By combining the floor stand with an Audipack flightcase all components are neatly organized in the flightcase together with the screen.

- ▲ **Elegant column design**
- ▲ **Landscape or portrait positioning of the panel**
- ▲ **Two integrated cable channels**
- ▲ **Continuous height adjustment**
- ▲ **Integrated measuring ruler for precise positioning**
- ▲ **Standard models or custom built available**



Easy cable access



VESA 200, 400, 600, L&S 5 interface



Flat panel position ruler



Quick release, perfect rental solution

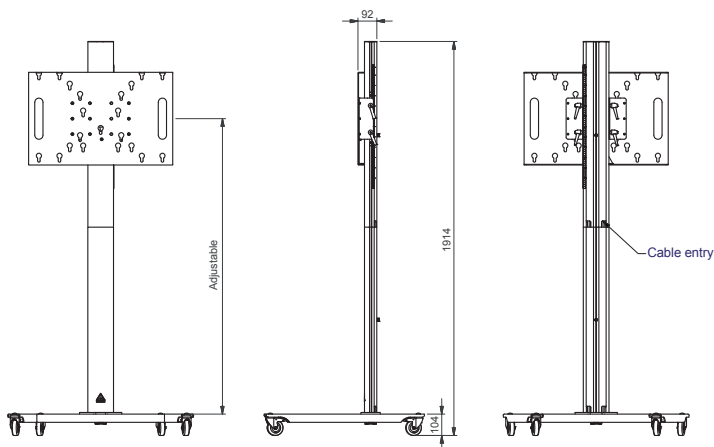
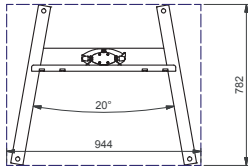


Audipack®

It's great to have solutions...

FACT SHEET

FS-805V6



Quick Release
No tools required



Technical specifications

Dimensions in mm	W944 x D782 x H1914
Max. screen size	65 inch
Max. load	60 Kg
Mounting interface	VESA 200, 400, 600, L&S 5
Colour	Floor plate: Black, RAL 9005 Columns: Anodised aluminium
Weight	36 Kg
Screen orientation	Landscape or Portrait

Optional

- Mounting bracket (required for screen installation)
universal models and brand related models available
- Camera supports, *EC-838*
- Laptop supports, *EC-815, EC-816*
- Equipment holders, *EC-1, EC-1AC, EC-835*
- Mounting head for multiple screen installation, *390851*
- Soundbar mounting interface, *LSS-FS800*
- Lock for protect the screen against theft, *230052*