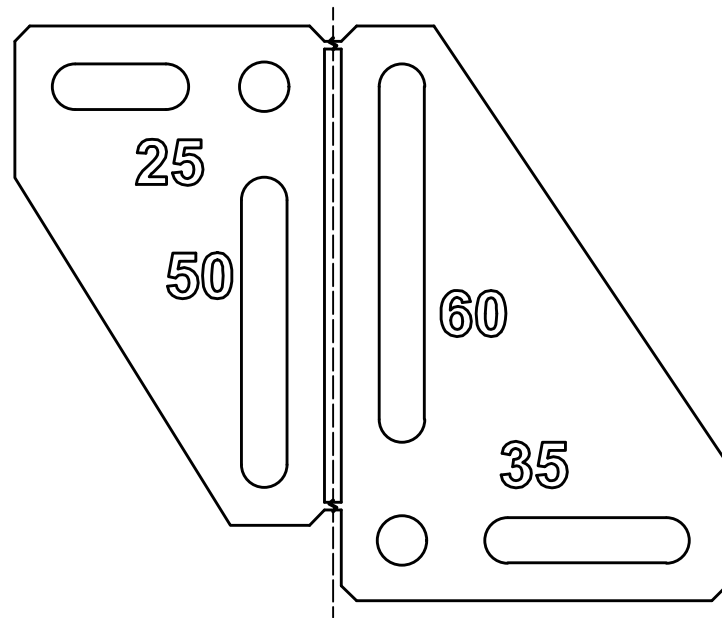
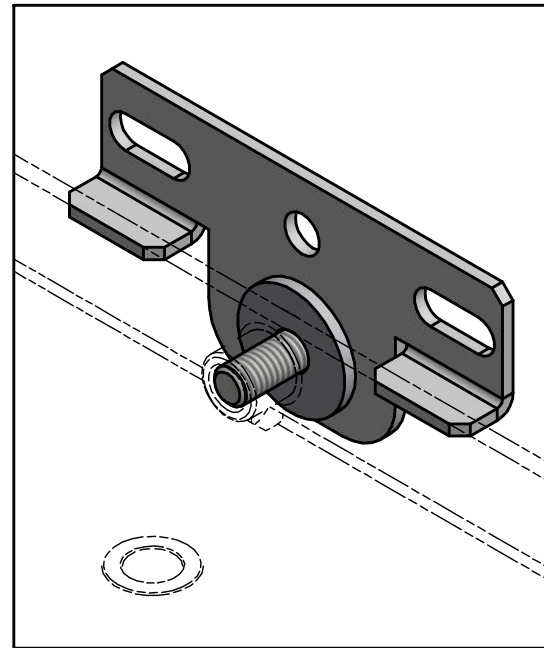


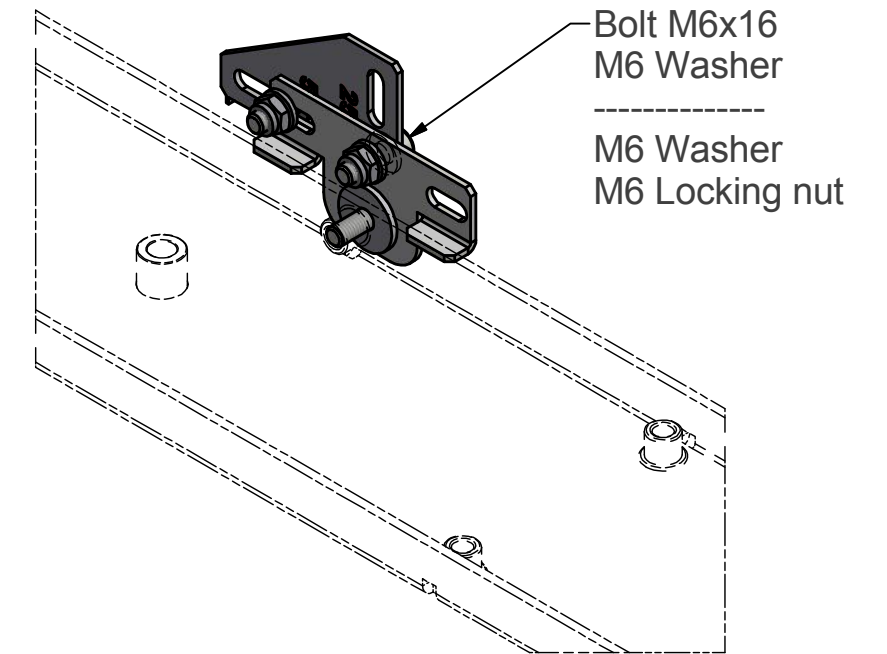
① Break the distance triangles and choose the correct triangle based on distance.



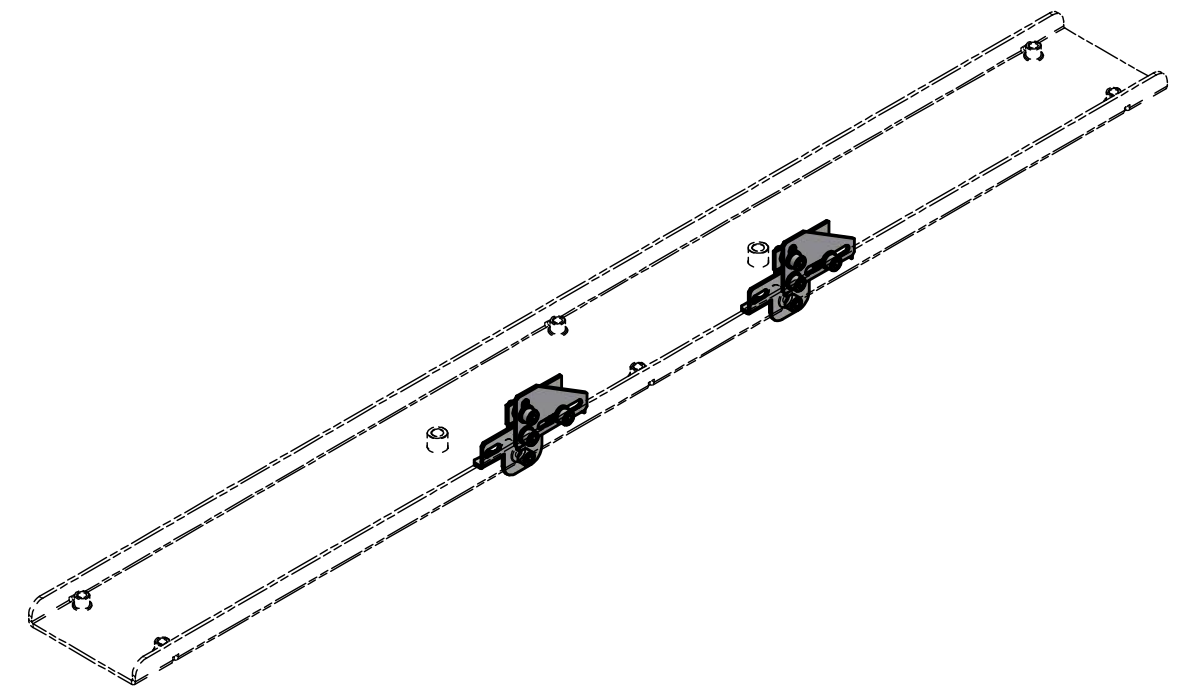
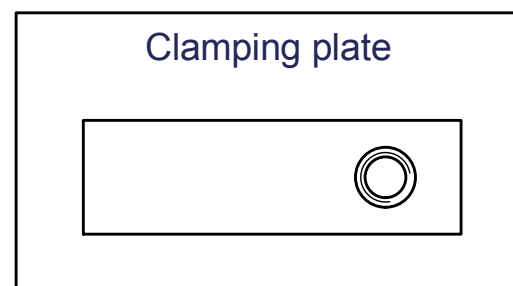
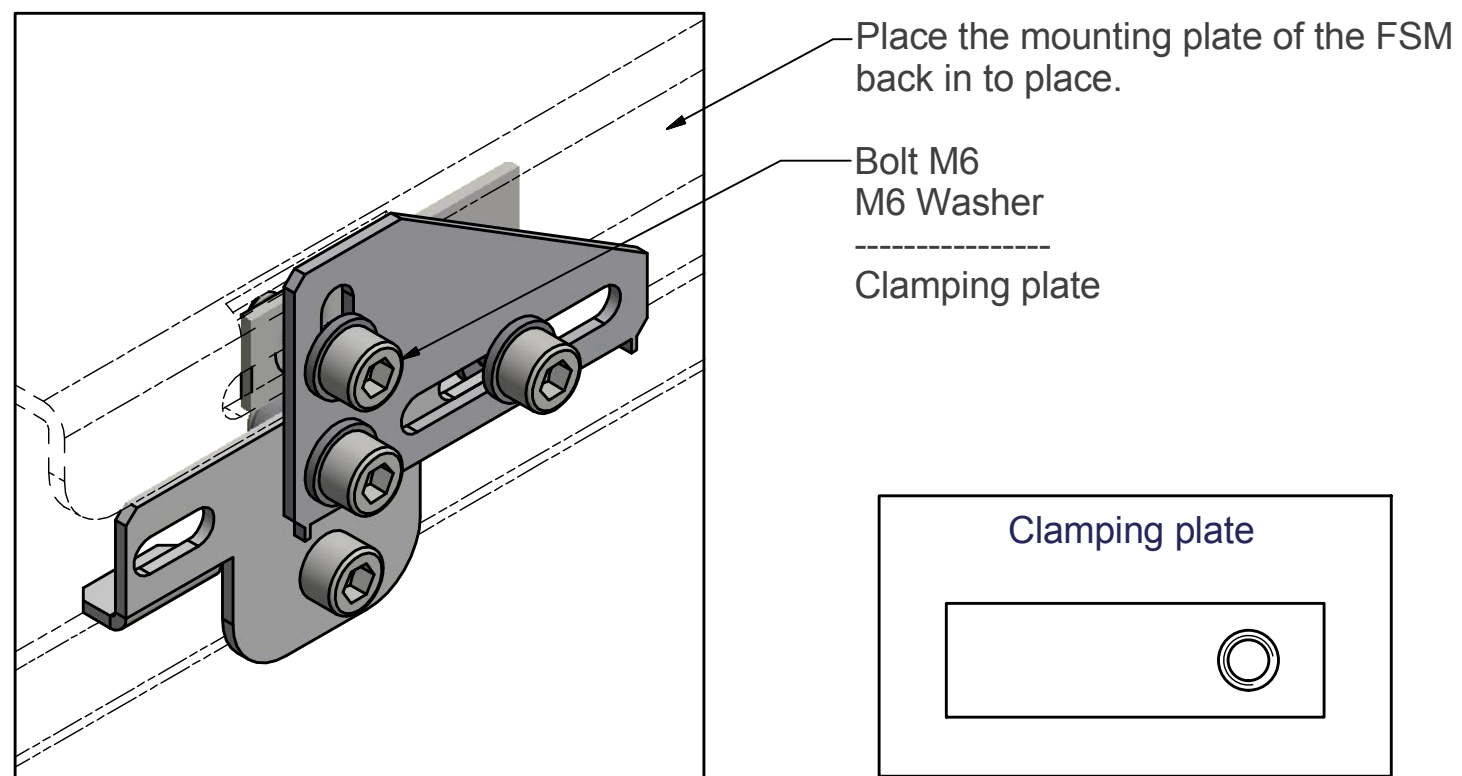
② Mount the bracket in the thread of the FSM.



③ Fasten distance triangle with a bolt.



④ Hold the clamping plate under the mounting plate and clamp the mounting plate.



NOTE: All dimensions are \pm ..., in mm and subject to change

© COPYRIGHT AUDIPACK
This print and the information shown thereon, is the property of AUDIPACK.
It may not be delivered to others nor reproduced for general circulation without the written consent of the AUDIPACK engineering department.



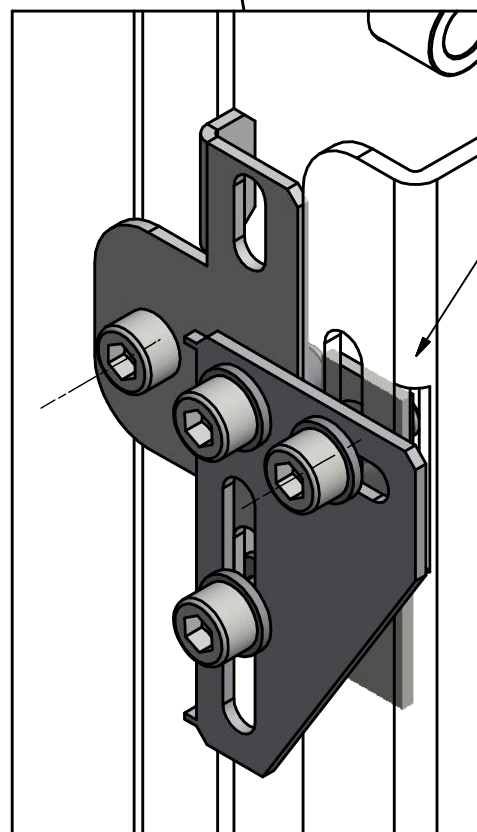
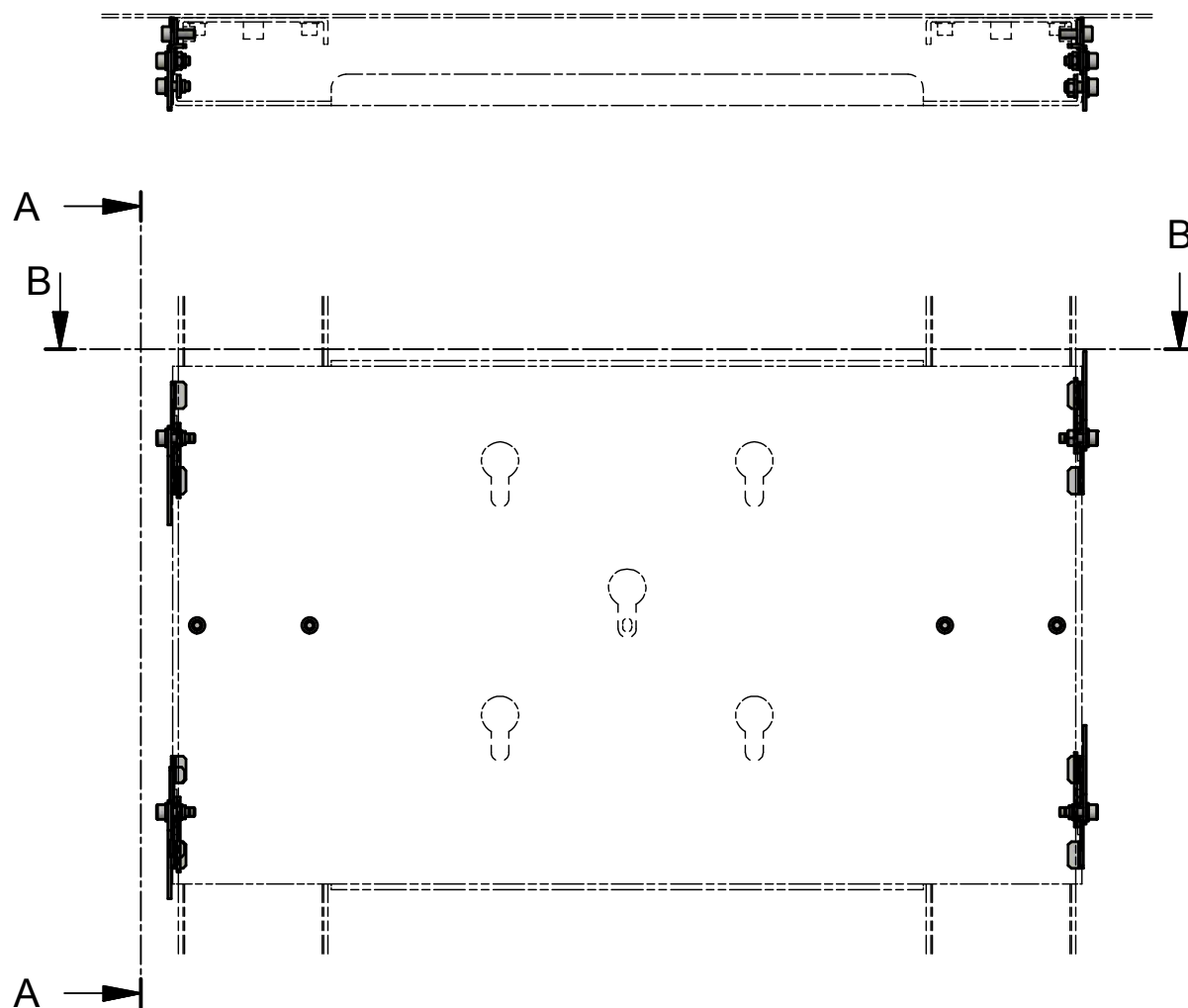
AUDIPACK
Industriestraat 2-4
2751 GT Moerkapelle
the Netherlands
Tel: +31(0)795931671
Fax: +31(0)795933115
www.audipack.com

Manual
P7090

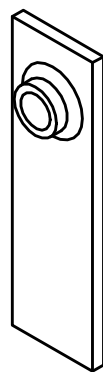
Spacer for FSM*

Section B-B (1 : 5)

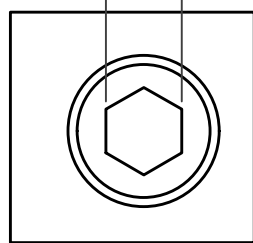
Section A-A (1 : 5)



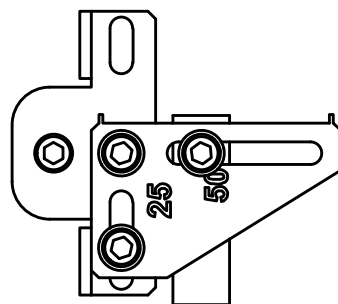
Clamping plate 642233
on the other side



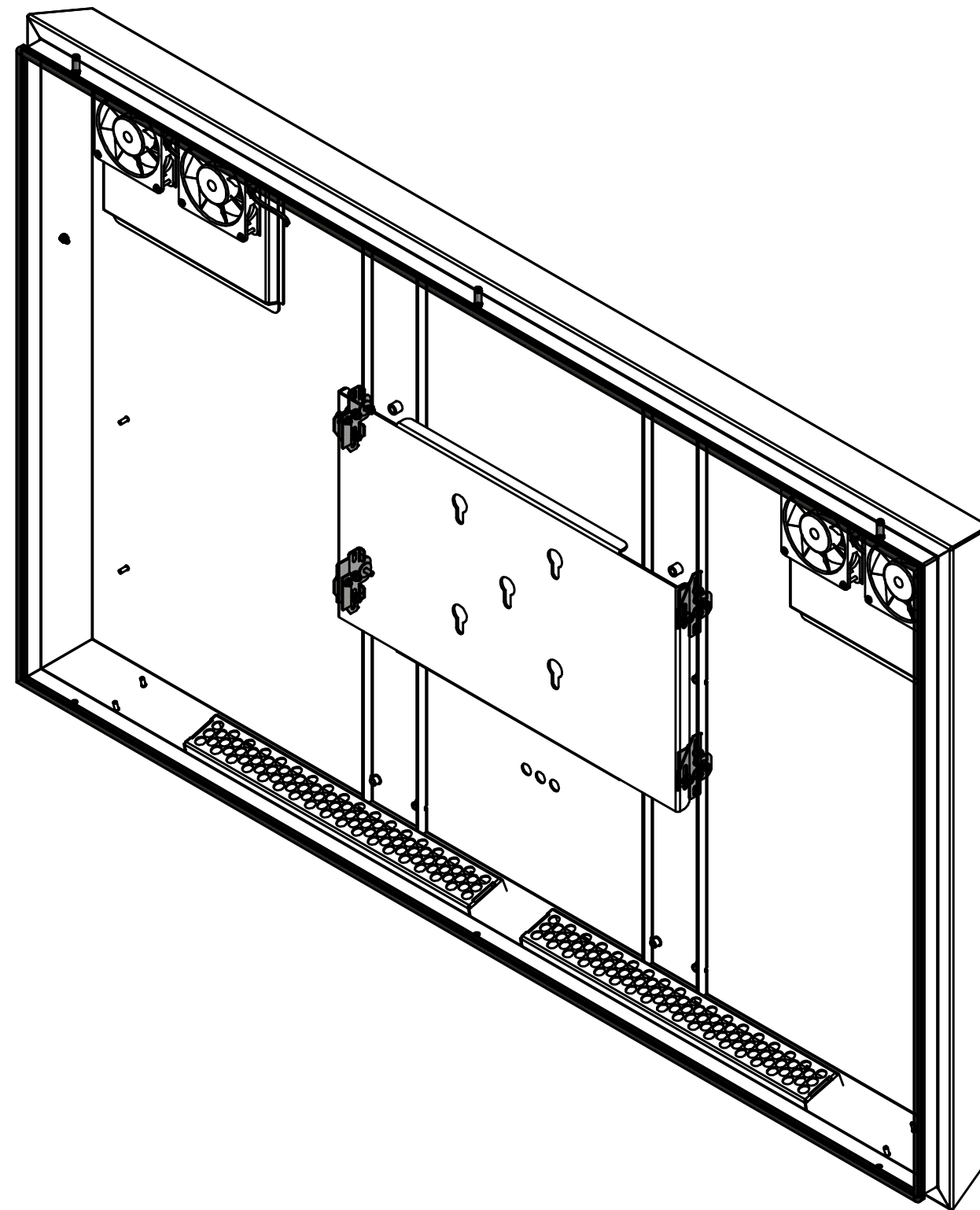
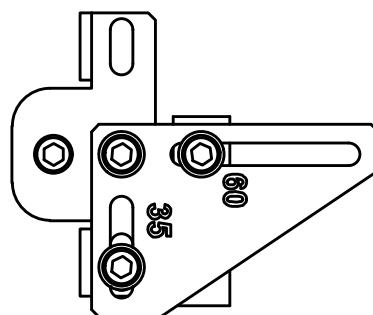
Socket hexagon size 5



Distance 25 mm or 50 mm



Distance 35 mm or 60 mm



NOTE: All dimensions are ±..., in mm and subject to change

© COPYRIGHT AUDIPACK
This print and the information shown
thereon, is the property of
AUDIPACK.
It may not be delivered to others nor
reproduced for general circulation
without the written consent of the
AUDIPACK engineering department.



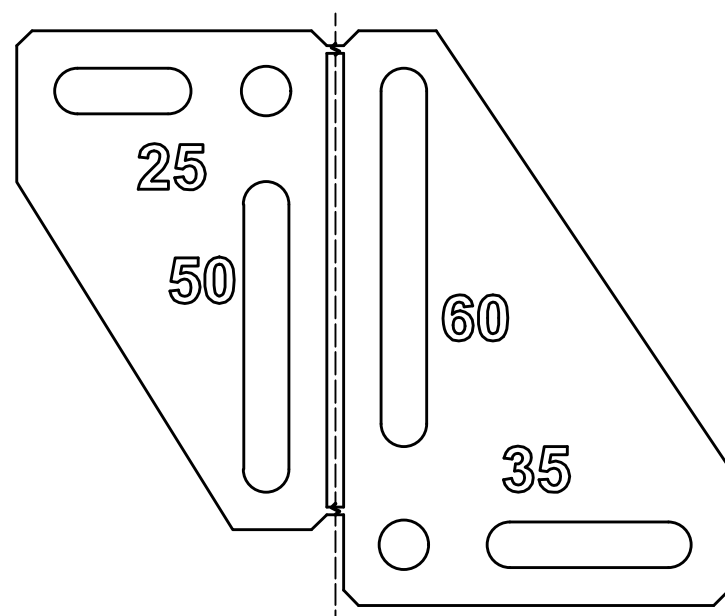
AUDIPACK
Industriestraat 2-4
2751 GT Moerkapelle
the Netherlands
Tel: +31(0)795931671
Fax: +31(0)795933115
www.audipack.com

Manual
P7090

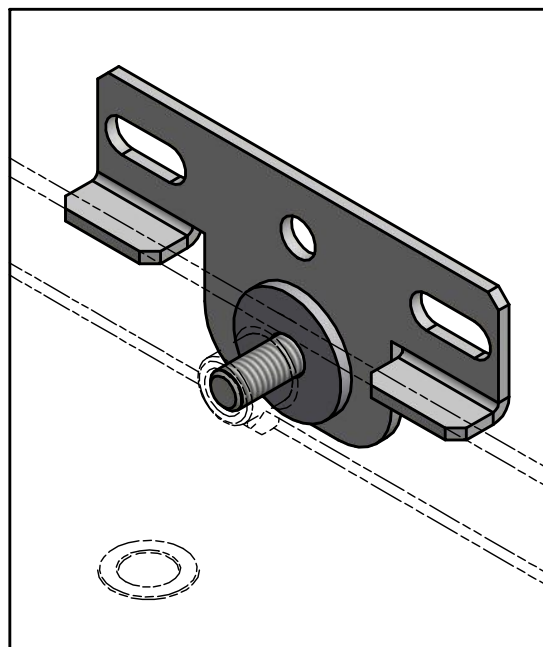
Spacer for FSM*

Dimensions are indications, not to be used for any preparations. No rights can be derived from the above dimensions.

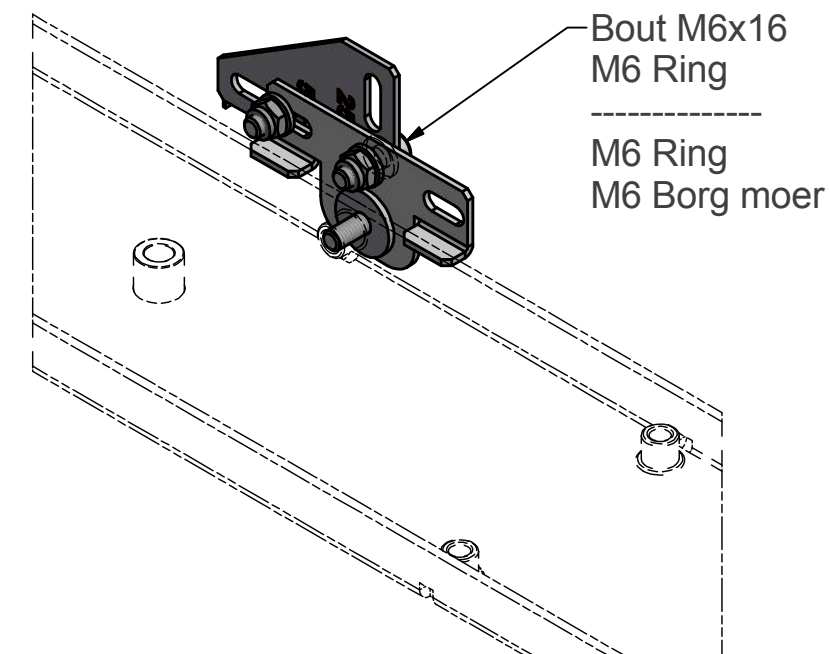
- ① Breek de afstand driehoeken en bepaal de juiste driehoek a.d.v. afstand



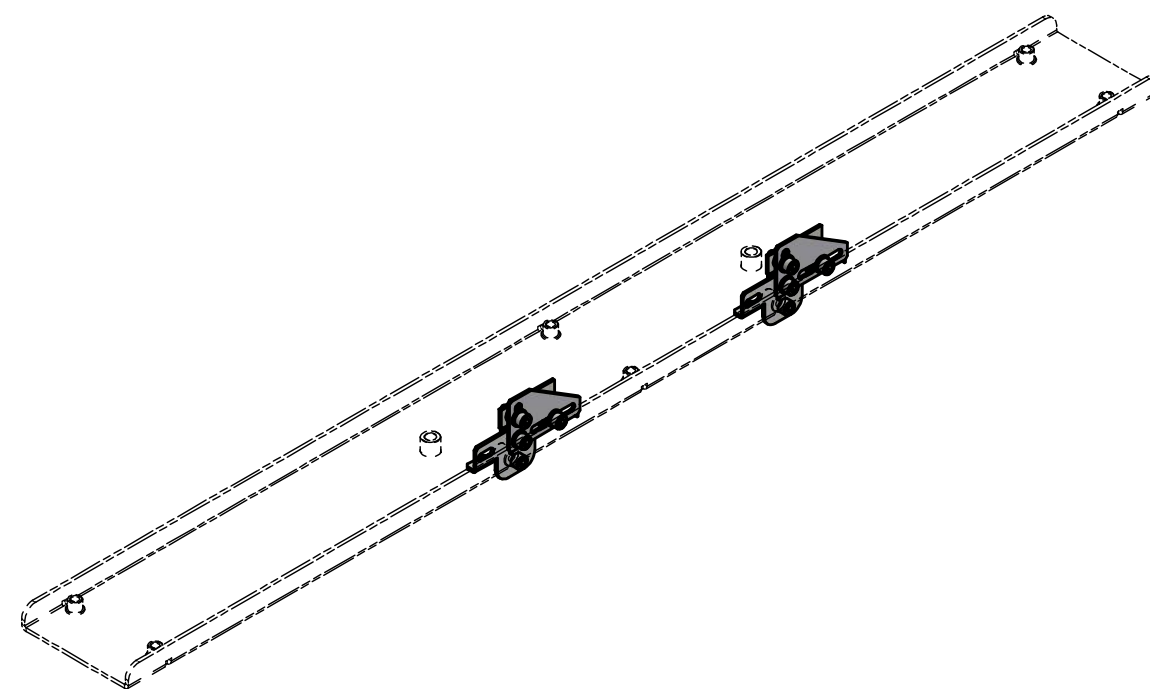
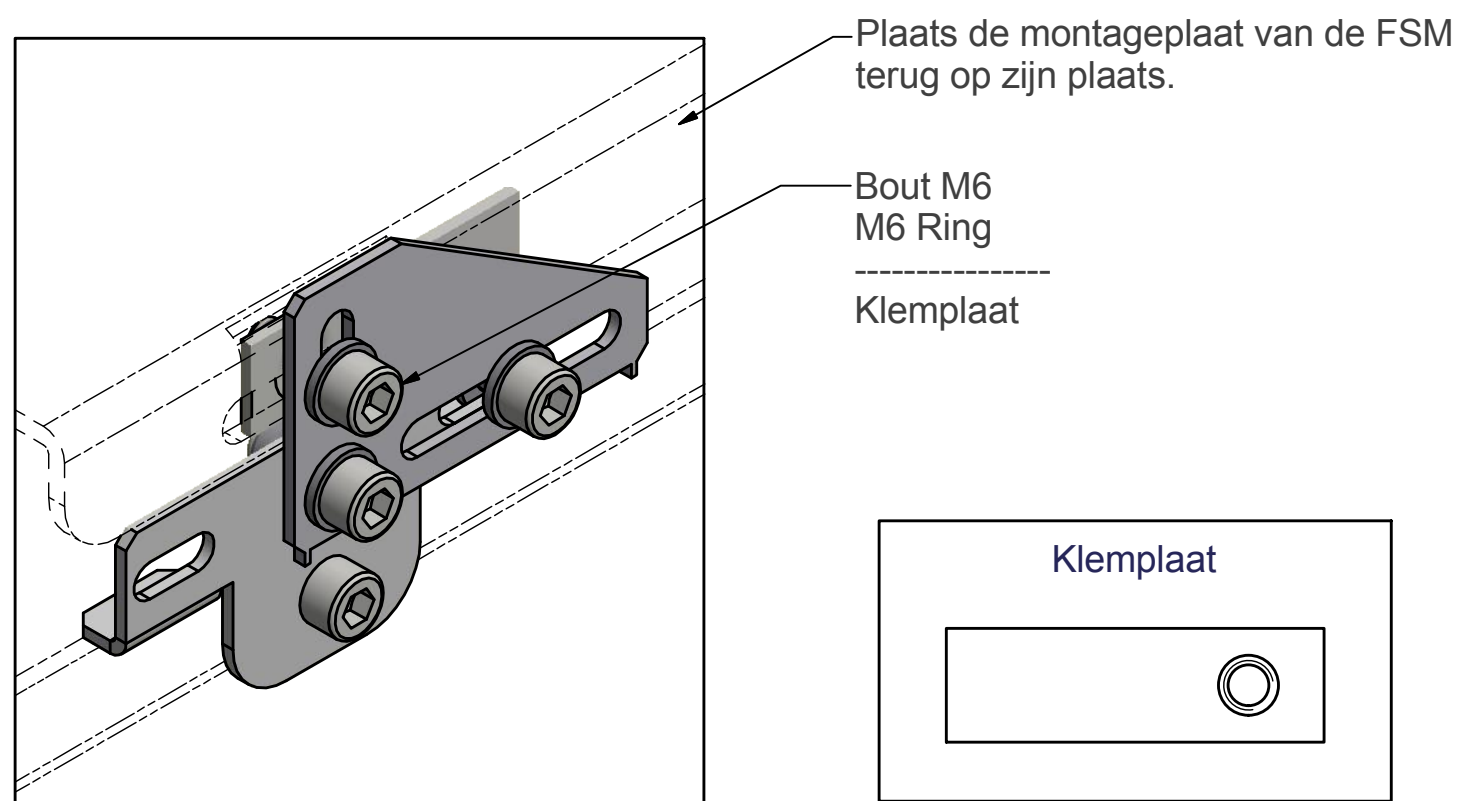
- ② Monteer de clamp met een bout aan de FSM.



- ③ Monteer de afstand driehoek met twee bouten.



- ④ Houd de klemplaat onder de montageplaat en klem de montageplaat.



NOTE: All dimensions are ±..., in mm and subject to change

© COPYRIGHT AUDIPACK
This print and the information shown thereon, is the property of AUDIPACK.
It may not be delivered to others nor reproduced for general circulation without the written consent of the AUDIPACK engineering department.

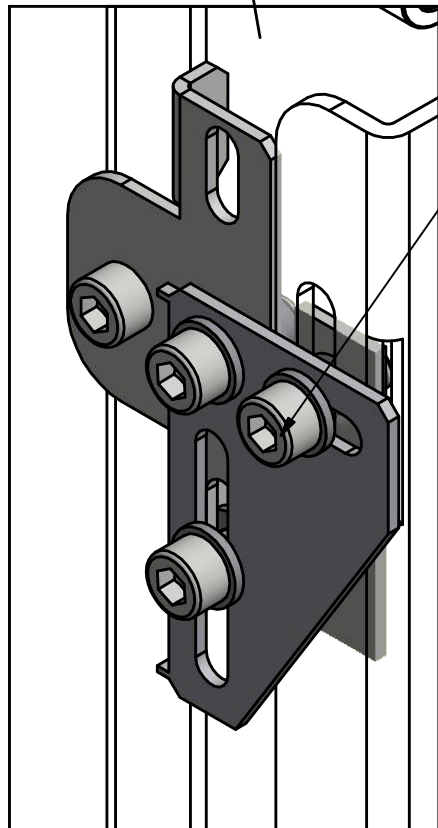
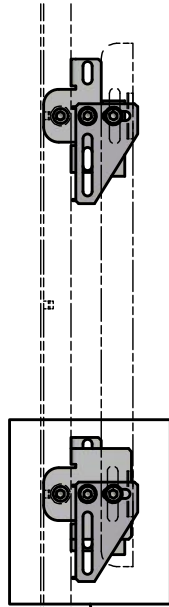
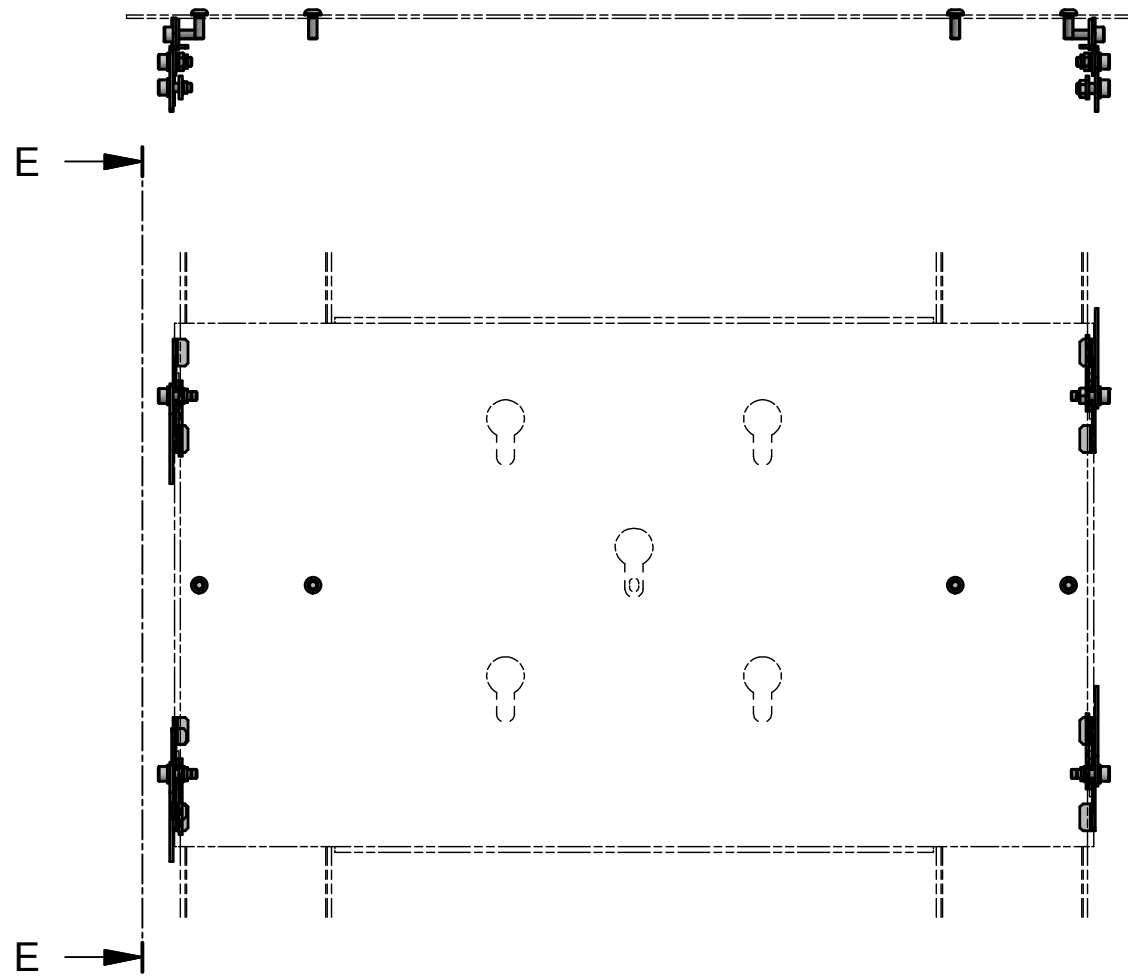


AUDIPACK
Industriestraat 2-4
2751 GT Moerkapelle
the Netherlands
Tel: +31(0)795931671
Fax: +31(0)795933115
www.audipack.com

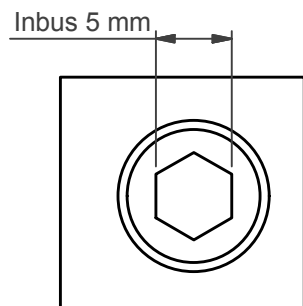
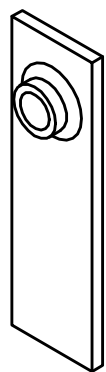
Manual
P7090

Spacer for FSM*

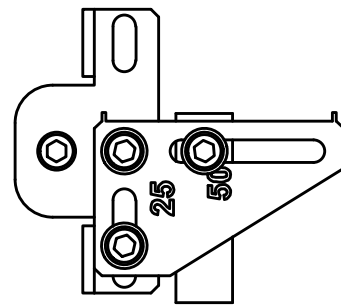
Section E-E (1 : 5)



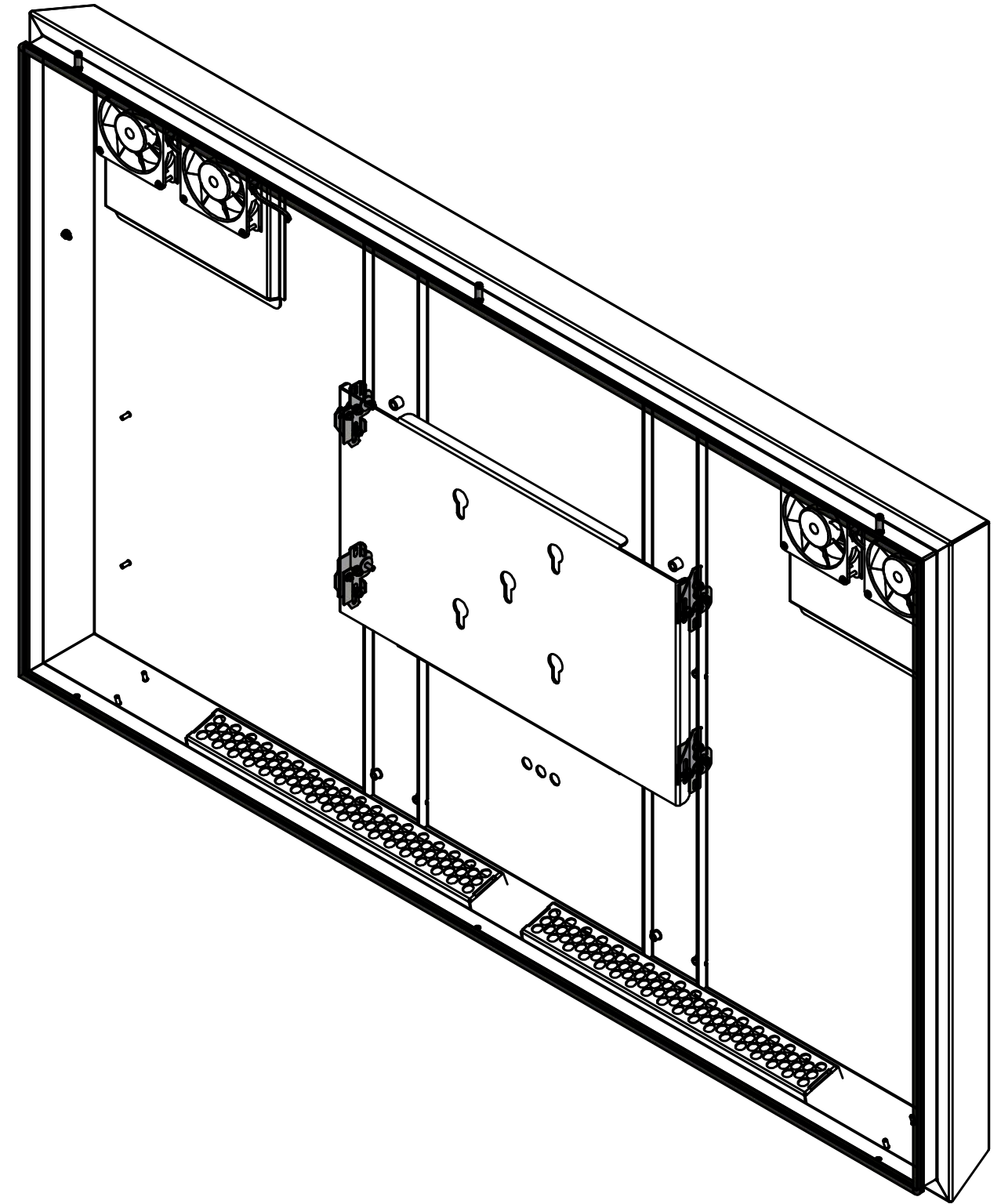
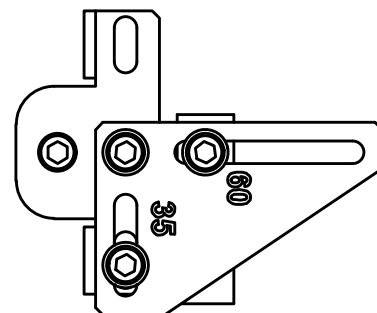
Klemplaat 642233
aan de andere zijde



Afstand 25 mm of 50 mm



Afstand 35 mm of 60 mm



NOTE: All dimensions are ±..., in mm and subject to change

© COPYRIGHT AUDIPACK
This print and the information shown
thereon, is the property of
AUDIPACK.
It may not be delivered to others nor
reproduced for general circulation
without the written consent of the
AUDIPACK engineering department.



AUDIPACK
Industriestraat 2-4
2751 GT Moerkapelle
the Netherlands
Tel: +31(0)795931671
Fax: +31(0)795933115
www.audipack.com

Manual
P7090

OPVULSET voor FSMO/FSMT
behuizing

Dimensions are indications, not to be used for any preparations. No rights can be derived from the above dimensions.