



Stroke
500 mm
-
1910 mm



Max. movable frame dimensions:
W450 x D590 mm

The compact light weight projector lift with a max. lift capacity of 30 Kg.

The PCL-3050 ceiling lift is part of Audipack's broad range of projector ceiling lifts.

This range features various models, so choosing the best suited model is easy. With an Audipack ceiling lift, the projector is mounted out of sight over the suspended ceiling and can be positioned for presentations. This model is designed to carry the medium sized projectors.

The lift is available with several strokes and is standard equipped with a ceiling finishing mask. Adjusting the limits of the lift is simple as usual.

Conform Audipack's philosophy, the lift is highly reliable, accurate and durable. The PCL-3050 ceiling lift is delivered including a ceiling finishing mask for the suspended ceiling.

- ▲ **Reliable**
- ▲ **Durable**
- ▲ **Very silent lift system**
- ▲ **Low maintenance**
- ▲ **Extendable with many options**



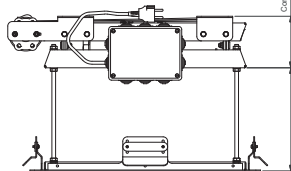
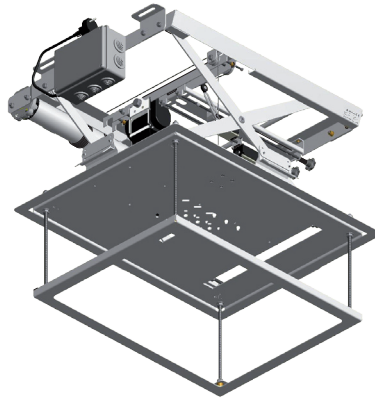
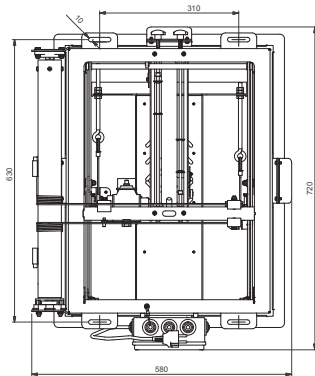


Audipack®

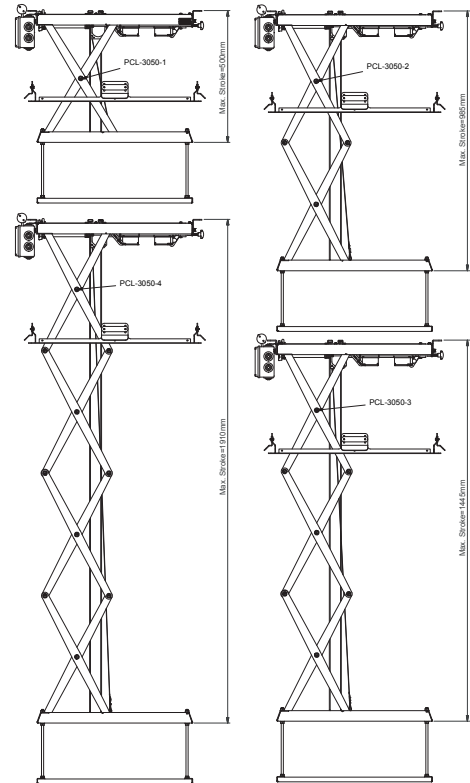
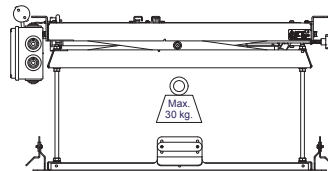
It's great to have solutions...

FACT SHEET

PCL-3050



Construction Height
Depending on projector height



Technical specifications

PCL-3050 General

Dimensions in mm	W 571 x D 707
Max. movable frame dimensions in mm	W 450 x D 590
Max. load	30 Kg
Colour	White RAL 9016
Power supply	110-230 VAC 50-60 Hz
Power consumption	170 VAC
Connectivity	Contact relay

Optional

Brand related projector mount, required for projector installation	
Universal projector mount, required for projector installation	
Remote control set	IR 260214 or RF 260215
Wall switch	261318
Service hatches	P1913 - P5066
Shock absorbers	P5547
Installation aid	P5047
Spacer frames	(custom)

Type	Stroke	No. scissors	Construction height	Nett. weight
PCL-3050-1	500 mm	1	115 mm	26 kg
PCL-3050-2	985 mm	2	170 mm	27 kg
PCL-3050-3	1447 mm	3	200 mm	28 kg
PCL-3050-4	1910 mm	4	240 mm	29 kg

