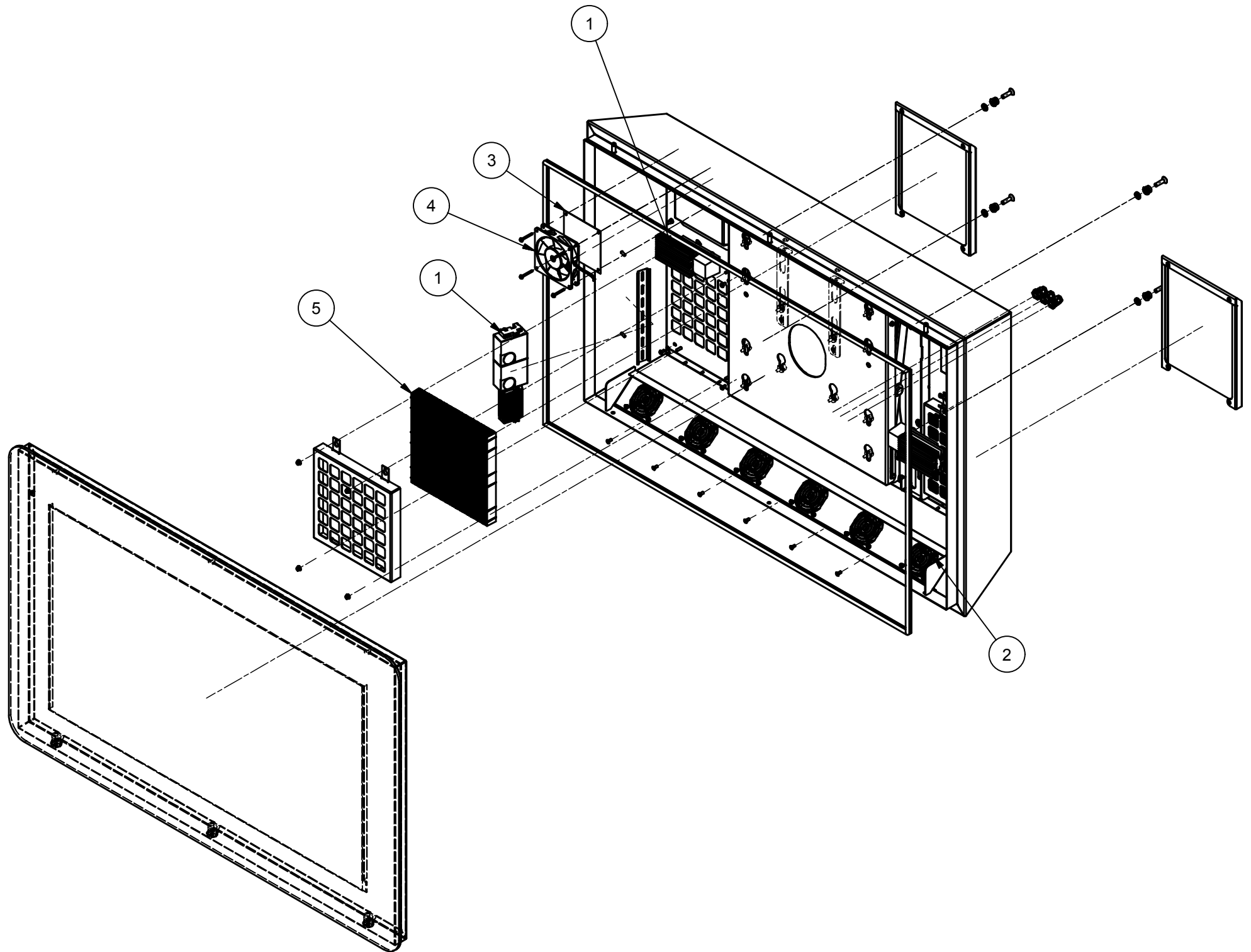


# PARTS USED IN THE FOLLOWING MODELS

FSMO-47HBV  
 FSMO-49HBV  
 FSMO-55HBV  
 FSMO-65HBV  
 FSMO-75HBV



ITEM	STOCK NUMBER	PART NAME	DESCRIPTION
1	431007	THERMOSTAT CONTROL	THERMOSTAAT REGELING
2	260157	SMALL FAN	82X82X38
3	623051	FILTER MESH	120X120X1
4	360100	FAN	119X119X1
5	230060	FILTER	FILTER

NOTE: All dimensions are ±..., in mm and subject to change

© COPYRIGHT AUDIPACK  
 This print and the information shown  
 thereon, is the property of  
 AUDIPACK.  
 It may not be delivered to others nor  
 reproduced for general circulation  
 without the written consent of the  
 AUDIPACK engineering department.



**AUDIPACK**  
 Industriestraat 2-4  
 2751 GT Moerkapelle  
 the Netherlands  
 Tel: +31(0)795931671  
 Fax: +31(0)795933115  
 www.audipack.com

SPARE PARTS  
 FSMO-46HBV

FSM OUTDOOR 55" HIGH  
 BRIGHTNESS VENTILATION