

Position 1

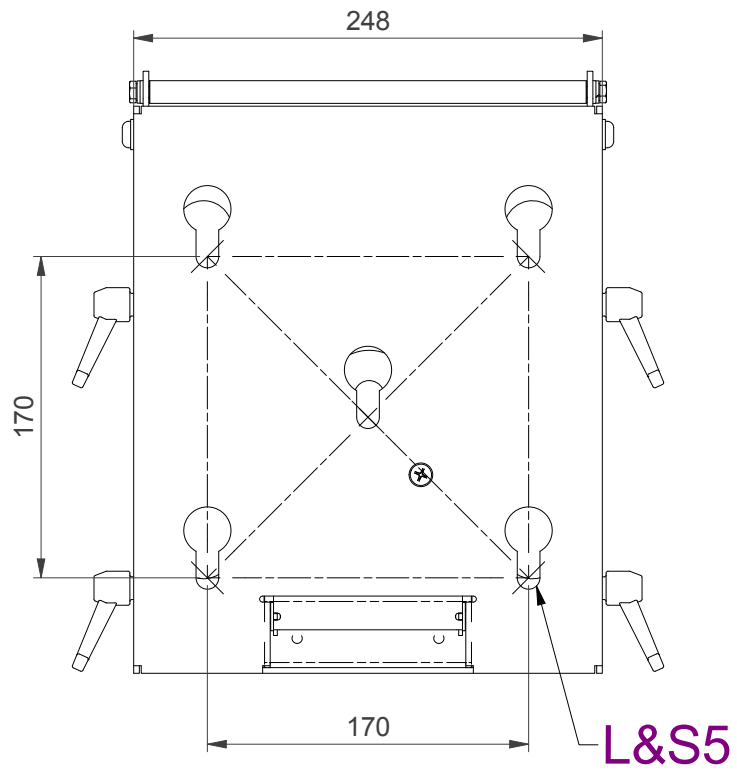
Position 2

Position 3

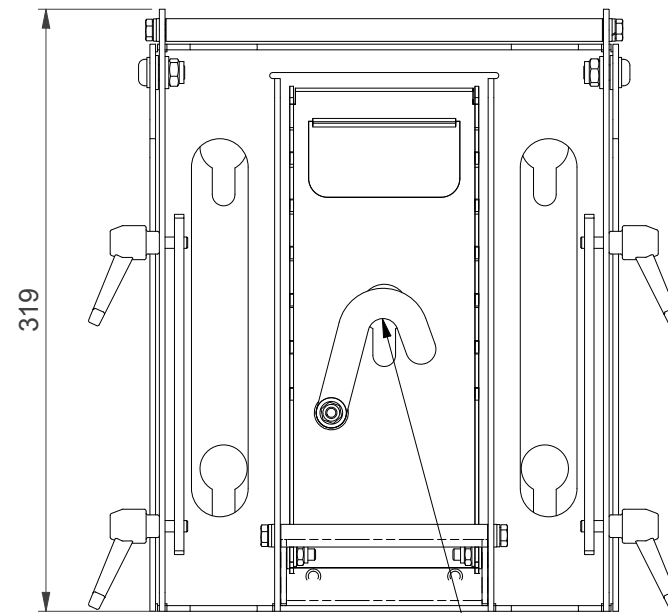
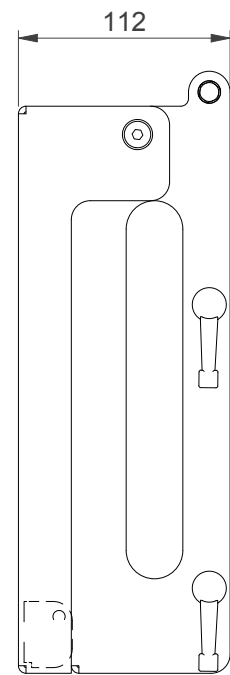
Position 4

Position 5

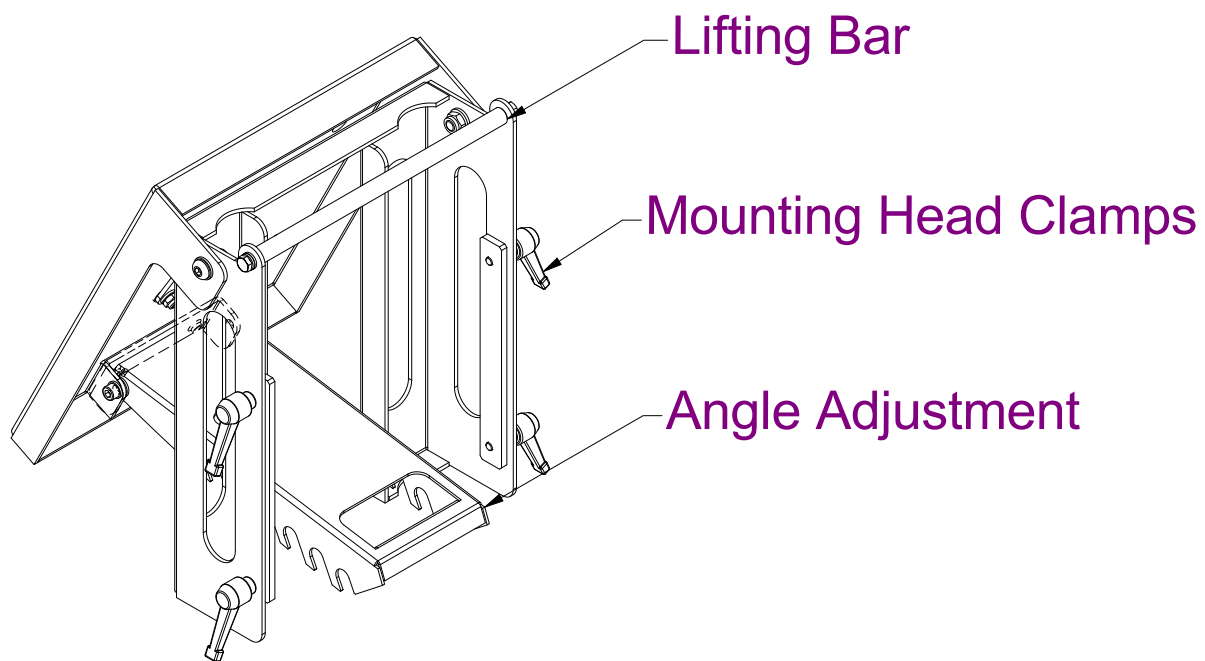
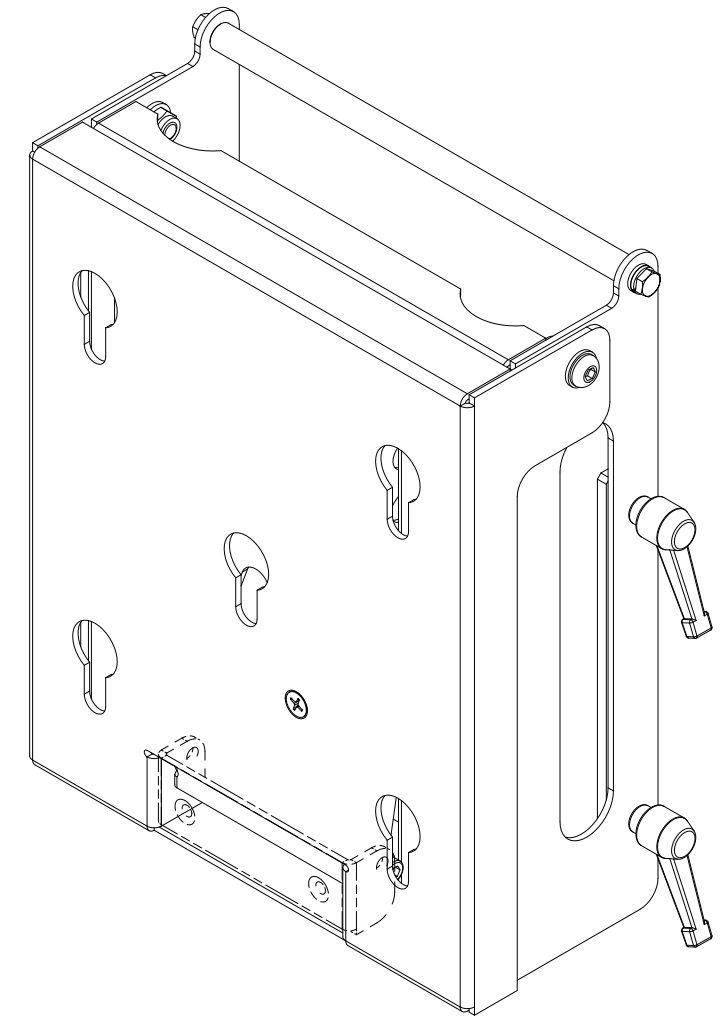
Position 6



L&S5



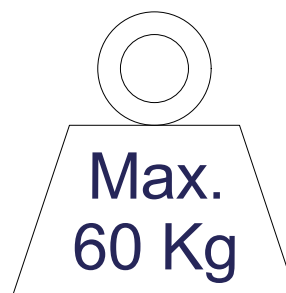
Lock Mounting Cam



Lifting Bar

Mounting Head Clamps

Angle Adjustment



Max.
60 Kg

NOTE: All dimensions are ±..., in mm and subject to change

© COPYRIGHT AUDIPACK
This print and the information shown
thereon, is the property of
AUDIPACK.
It may not be delivered to others nor
reproduced for general circulation
without the written consent of the
AUDIPACK engineering department.



AUDIPACK
Industriestraat 2-4
2751 GT Moerkapelle
the Netherlands
Tel: +31(0)795931671
Fax: +31(0)795933115
www.audipack.com

PRESENTATION
391705

TILTABLE L&S5 MOUNTING HEAD

Dimensions are indications, not to be used for any preparations. No rights can be derived from the above dimensions.