

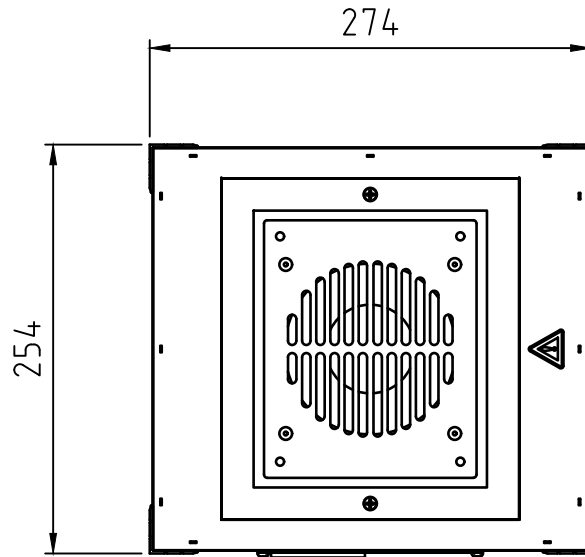
1 2 3 4 5 6

A

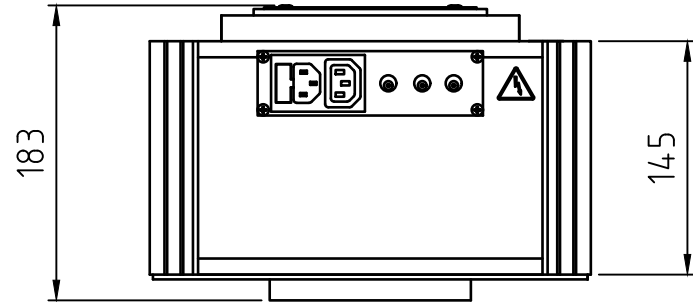
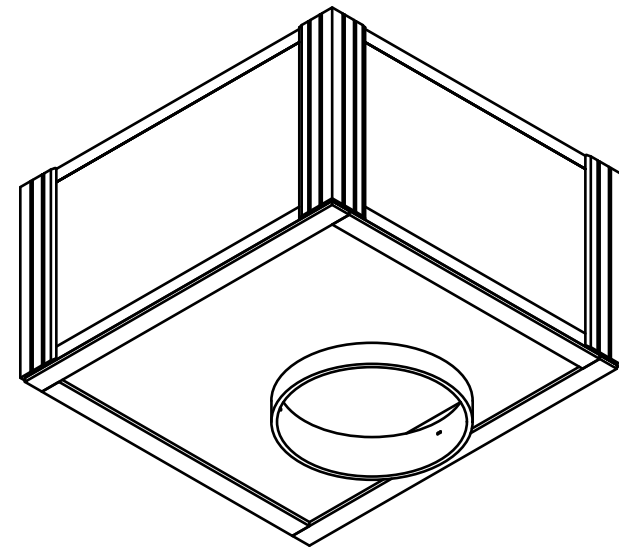
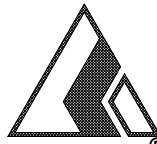
B

C

D



Ventilation system for Silent series

AUDIPACK
 Industriestraat 2
 2751 GT Moerkapelle
 the Netherlands
 tel. +31(0)795931671
 fax. +31(0)795933115
 www.Audipack.com

© COPYRIGHT AUDIPACK
 This print and the information shown thereon, is the property of AUDIPACK.
 It may not be delivered to others nor reproduced for general circulation without the written consent of the AUDIPACK engineering department

Material:
 Treatment:

Name: julian Date: 08-05-2019

Drawn by:
 Checked by:
 Appr. by:

Description:
Ventilation B + LED connections
 tbv.

TOLERANCES, UNLESS NOTED OTHERWISE:
 ISO 2768-m American Projection

Scale: 1:5
 Format: A4'

Sheet: 1 of: 1

DO NOT SCALE PRINT

Part Number:
P4620