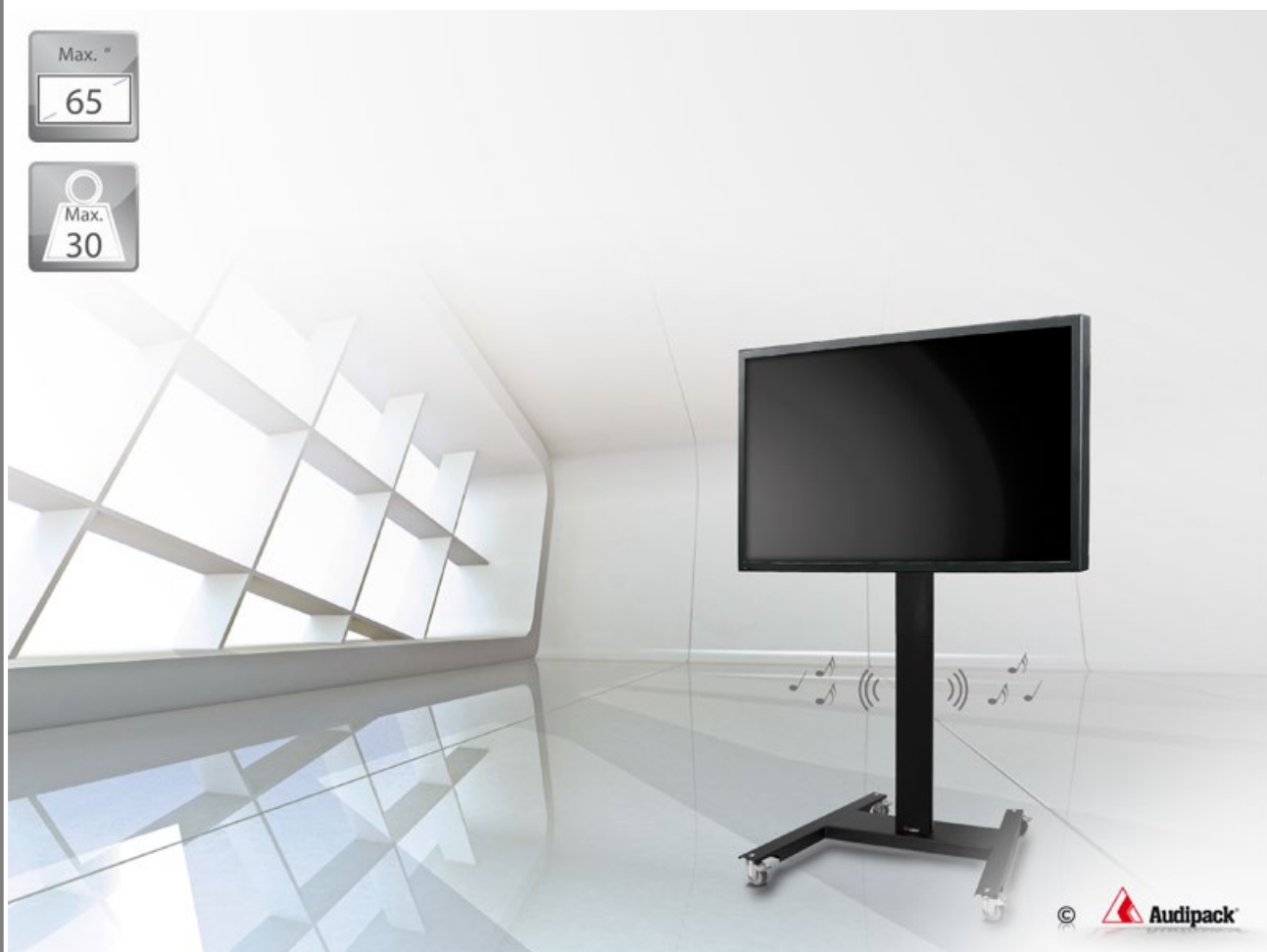
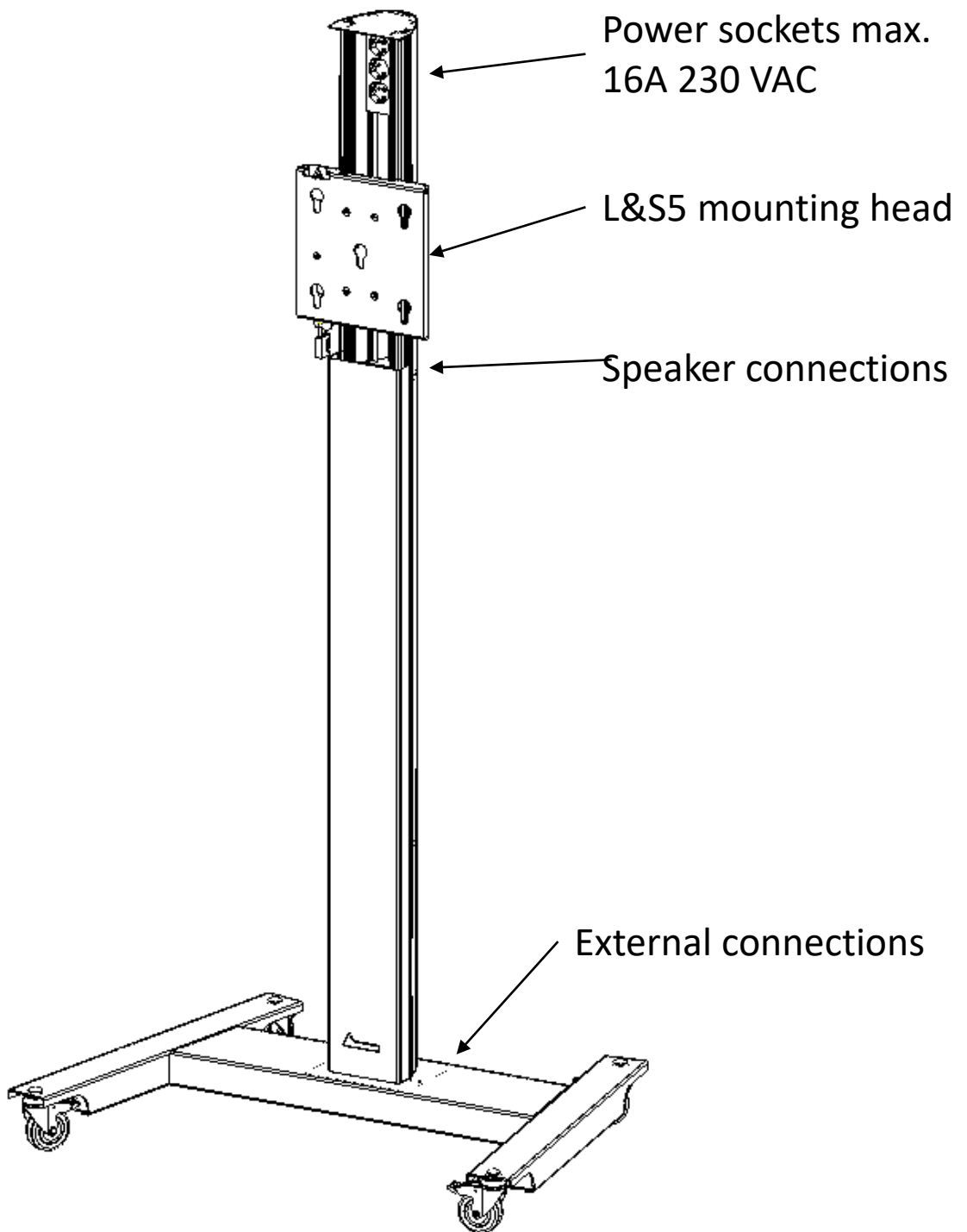


FSW-ATLAS

Installation manual

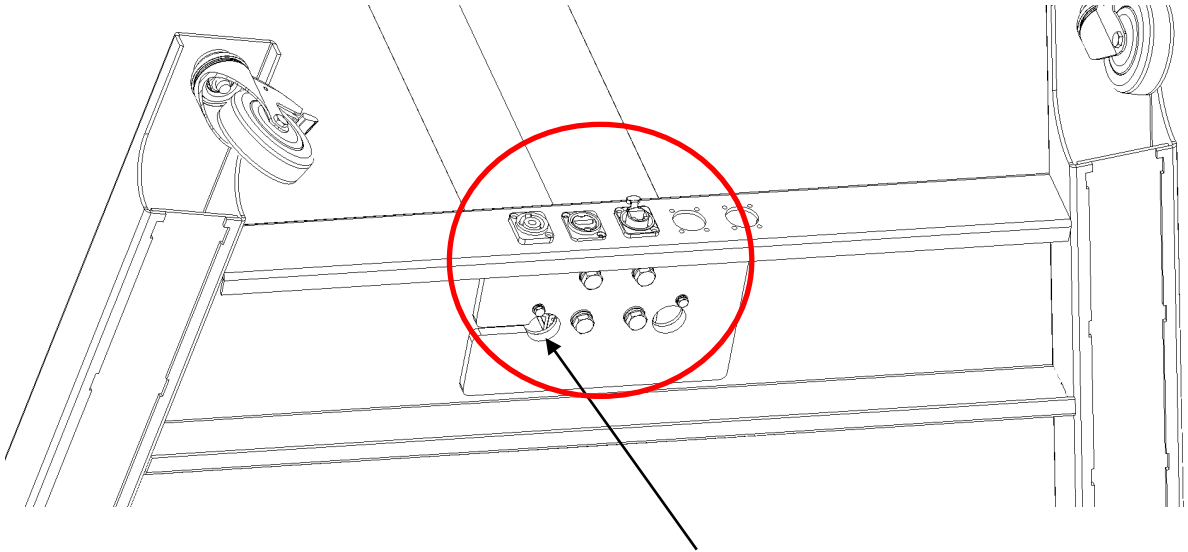


© Audipack



- Max. screen size : approx. 65"
- Presentation height: min. 1480 mm - max. 1590 mm (centre screen)
- Mounting interface: L&S5
- Screen positioning: Landscape and portrait
- Max. load: 30 Kg
- Colour: black RAL 9005 or white RAL 9016 / anodized Aluminium
- Max. audio output: 2 x 30 Watt RMS at 8 Ohm
- Frequency: 70 Hz - 20 KHz
- Power strip max. 16 A 230 VAC

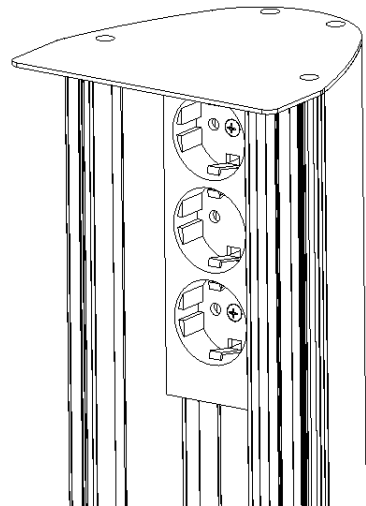
Use the pre-installed or extra installed connections and guide the cables through the trolley frame to the front of the speaker column.
Cables can be guided behind the speaker grill to the screen.



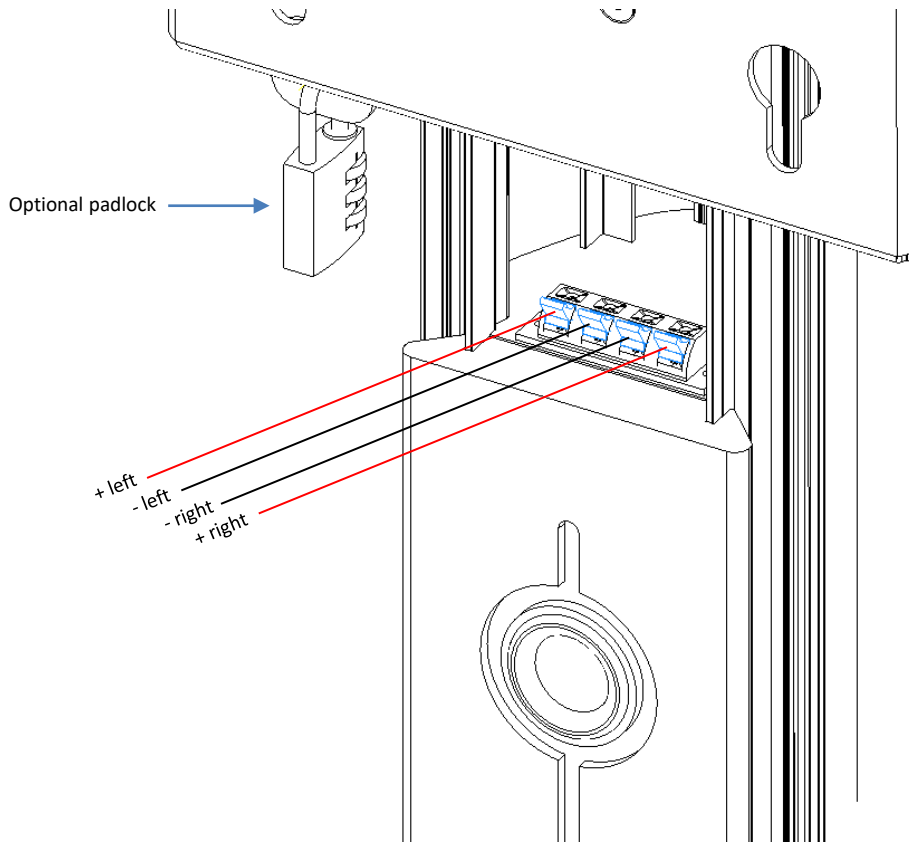
Cable pass through

In the section of the power sockets an Audipack mini amplifier can be installed and plugged in for power.

Connect the speaker with the correct connections.

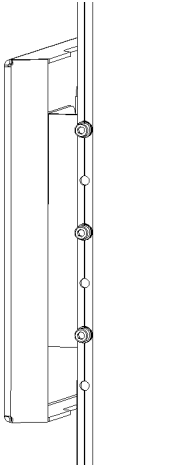


Speaker connections

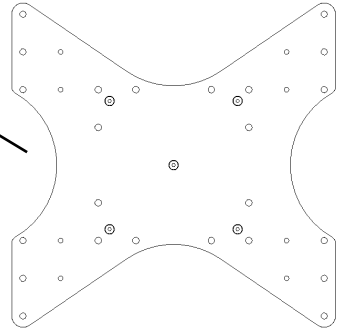
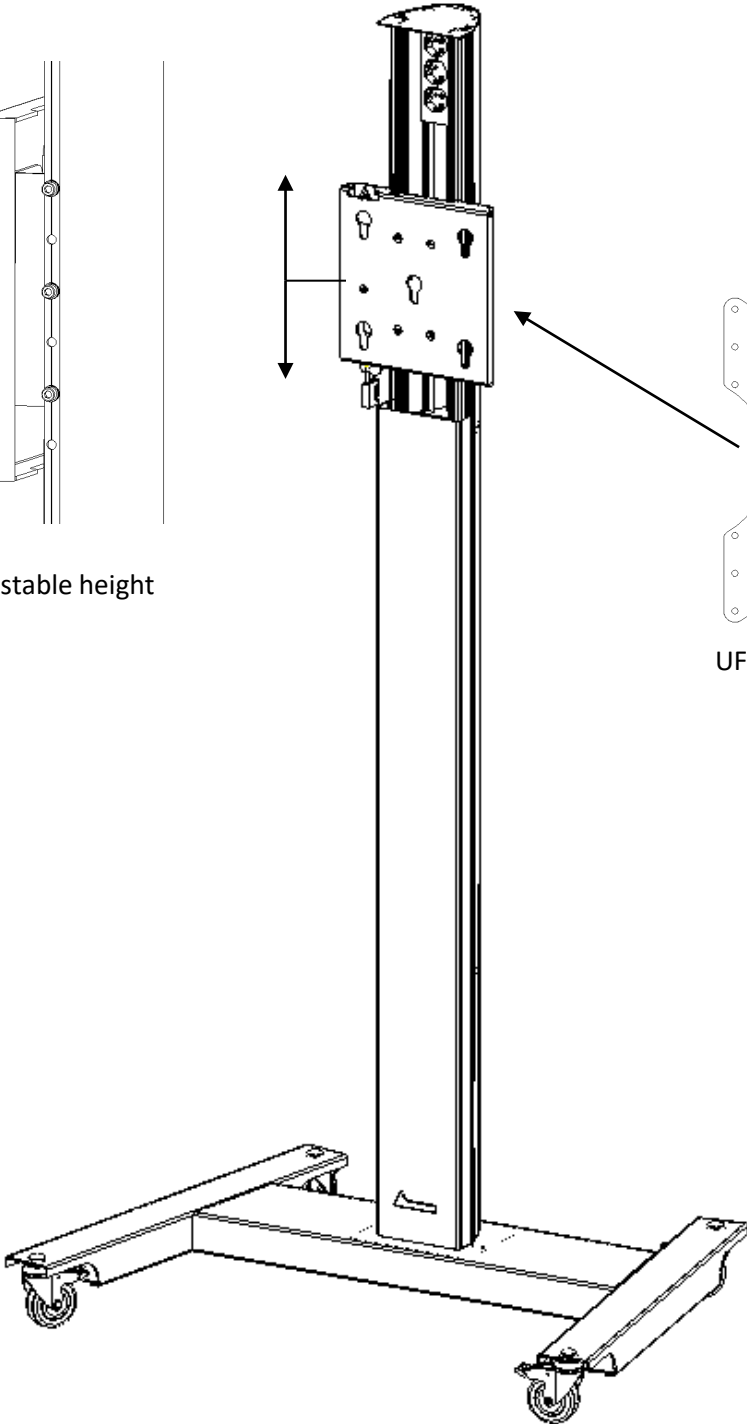


Max. audio input: 2 x 30 Watt RMS
at 8 Ohm

Screen installation



Adjustable height



UFPRO-V400 / UFPRO-V600

Audipack's general conditions of sales and delivery apply to all of Audipack's deliveries. These conditions can be downloaded from Audipack's website, www.audipack.com, or will be sent by post on request.

Audipack liefert ausschließlich unter die allgemeine Verkauf- und Lieferungsbedingungen von Audipack. Diese Bedingungen sind zum downloaden verfügbar auf die Webseite von Audipack, www.audipack.com, oder werden Ihnen auf Anfrage per Post gesendet.

Alle leveringen geschieden uitsluitend volgens de Algemene Verkoop- en Leveringsvoorwaarden van Audipack. Een afschrift hiervan kunt u downloaden van de website van Audipack, www.audipack.com, of wordt u op aanvraag gestuurd per post.

Les conditions de vente et de livraison de Audipack s'appliquent à tous les livraisons de Audipack. Cette conditions sont disponible sur le site internet de Audipack, www.audipack.com, où seront envoyé par poste sur demande.

**AUDIPACK
Industriestraat 2-4
2751 GT Moerkapelle
The Netherlands**

Tel: +31(0)795931671

Fax: +31(0)795933115

Email: audipack@audipack.com

www.audipack.com

Audipack reserves the right to make changes in specifications and other information contained in this document without prior written notice. The information provided herein is subject to change without notice. In no event shall Audipack be liable for any incidental, special, indirect, or consequential damages whatsoever, including but not limited to lost profits, arising out of or related to this manual or the information contained herein, even if Audipack has been advised of, known, or should have known, the possibility of such damages.