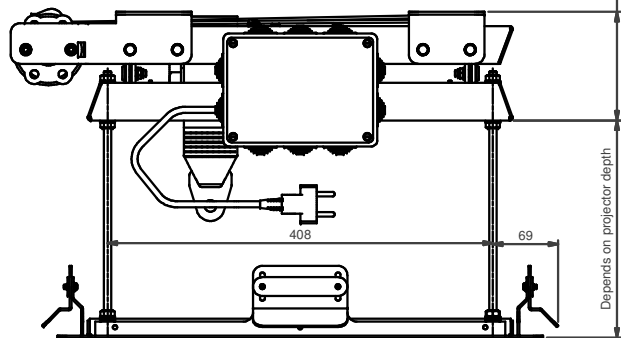
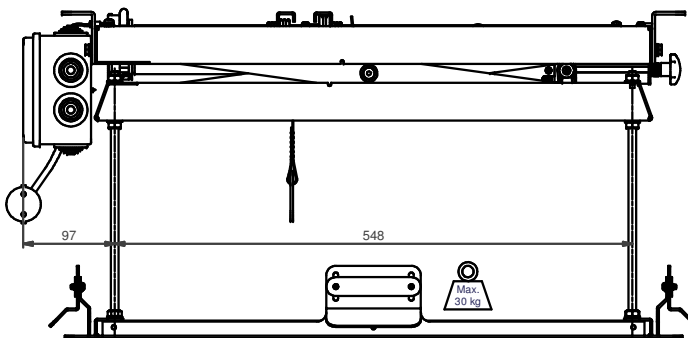
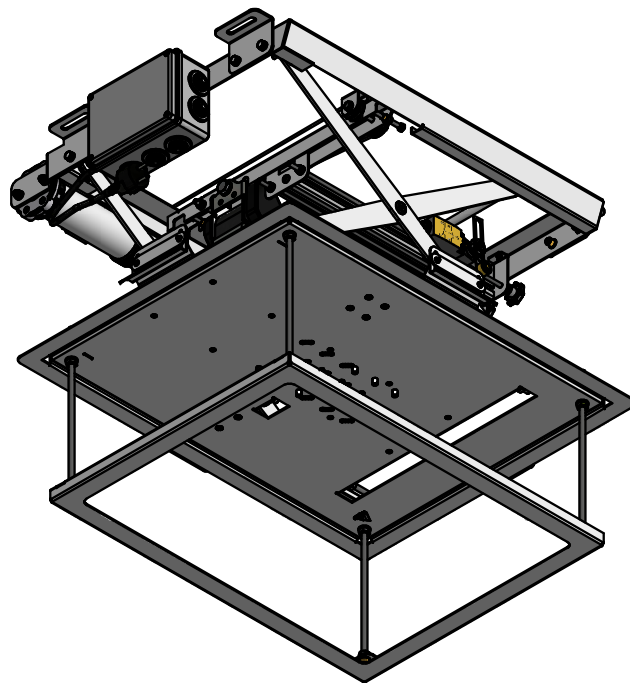


714

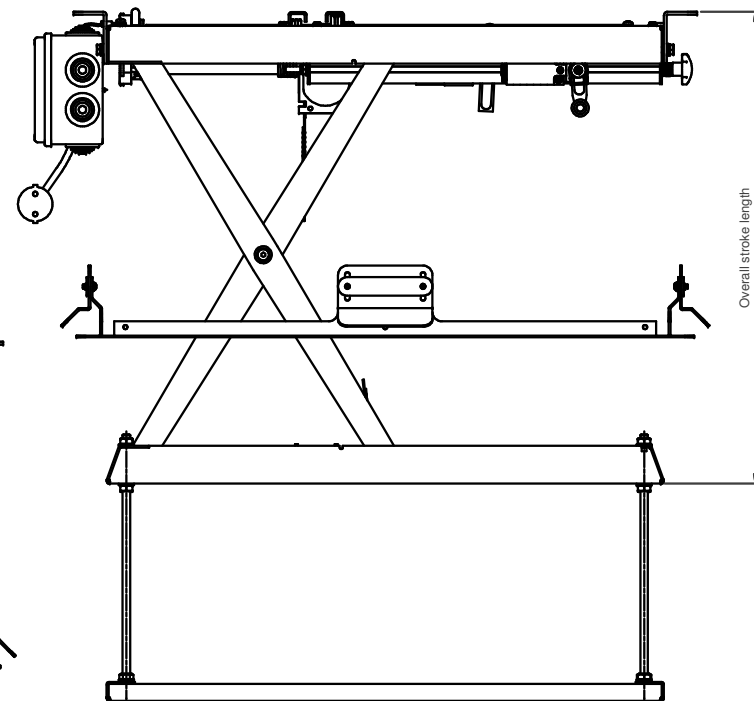
Construction height



Depends on projector depth



Max. 30 kg



Overall stroke length

PCL-3050	Number of Scissors	Overall Stroke	Construction Height	Weight
PCL-3050-1	1	500 mm	115 mm	26 kg.
PCL-3050-2	2	985 mm	155 mm	27 kg.
PCL-3050-3	3	1445 mm	200 mm	28 kg.
PCL-3050-4	4	1910 mm	240 mm	29 kg.

Dimensions are indications, not to be used for any preparations. No rights can be derived from the above dimensions.

NOTE: All dimensions are ±..., in mm and subject to change

© COPYRIGHT AUDIPACK
This print and the information shown thereon, is the property of AUDIPACK.
It may not be delivered to others nor reproduced for general circulation without the written consent of the AUDIPACK engineering department.



AUDIPACK
Industriestraat 2-4
2751 GT Moerkapelle
the Netherlands
Tel: +31(0)795931671
Fax: +31(0)795933115
www.audipack.com

PRESENTATION

PCL-3050

Projector Ceiling Lift 3050 SYSTEM

12-72013