

1 2 3 4 5 6

A

B

C

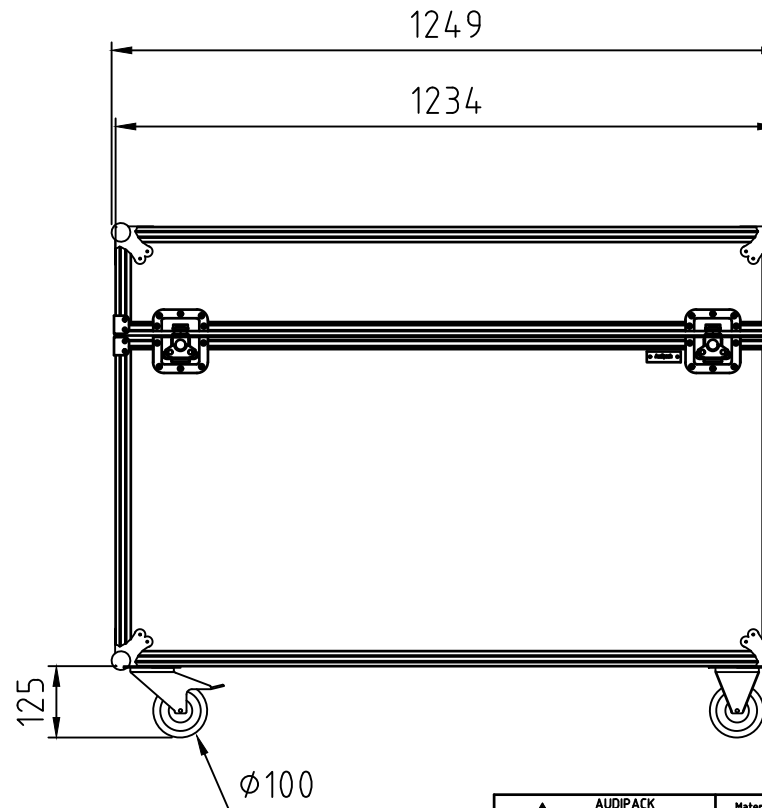
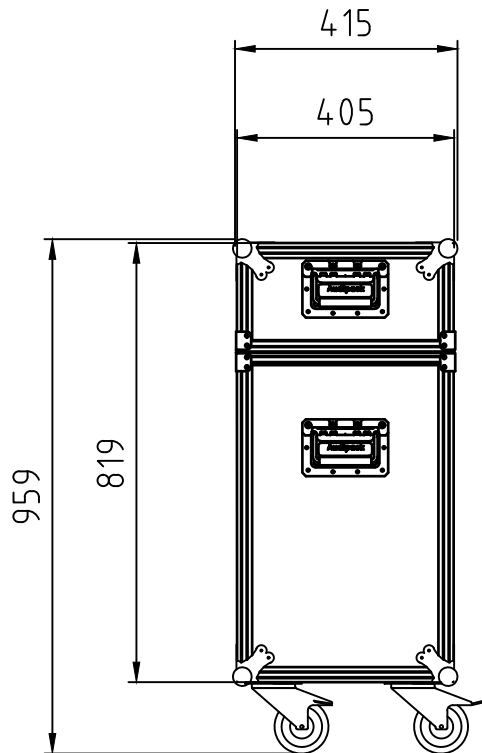
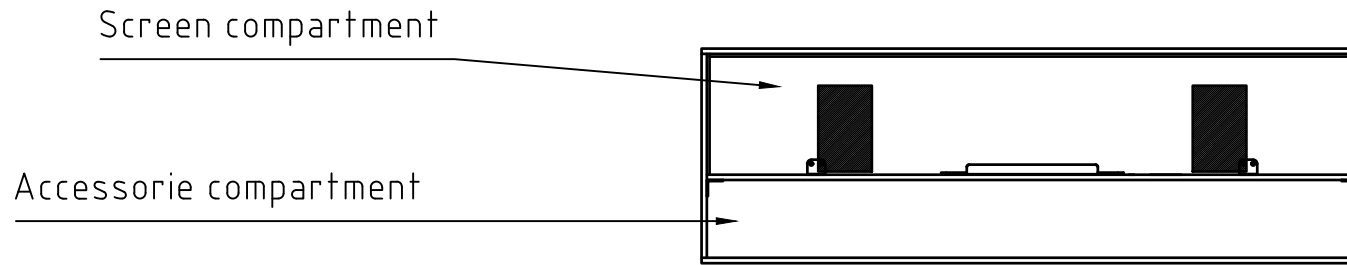
D

A


B

C

D



Max. screen dimensions W1160 x H700 x D110 mm (excl. monitor bracket)  
 Installed with optional UFPRO mount  
 Incl. accessorie compartiment  
 Detachebale top lid  
 4 grips  
 2 x 100 mm lockeable wheels

 <b>AUDIPACK</b> Industriestraat 2 2721 GT Hoogeveen The Netherlands tel. +31(0)795931671 fax. +31(0)79593115 www.audipack.com	Material: Treatment:	TOLERANCES, UNLESS NOTED OTHERWISE: ISO 2768-m
	Drawn by: Name: <b>Julian</b> Date: <b>19-10-2020</b> Checked by: Appr. by:	Sheet: 1 of: 1 Scale: 1:15 Format: A4
© COPYRIGHT AUDIPACK This print and the information shown thereon, is the property of AUDIPACK. If any not be delivered to others nor reproduced for general circulation without the written consent of the AUDIPACK engineering department.	Description: <b>Universal flightcase up to 50"</b>	Part Number: <b>FCFP-4650W</b>

1 2 3 4 5 6