

1

2

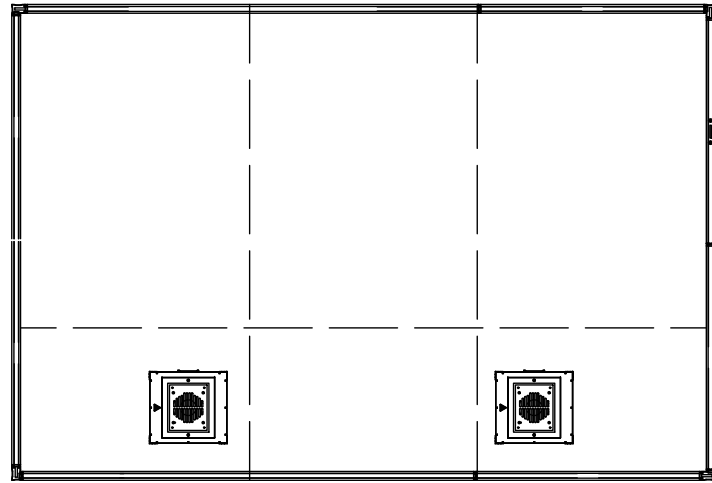
3

4

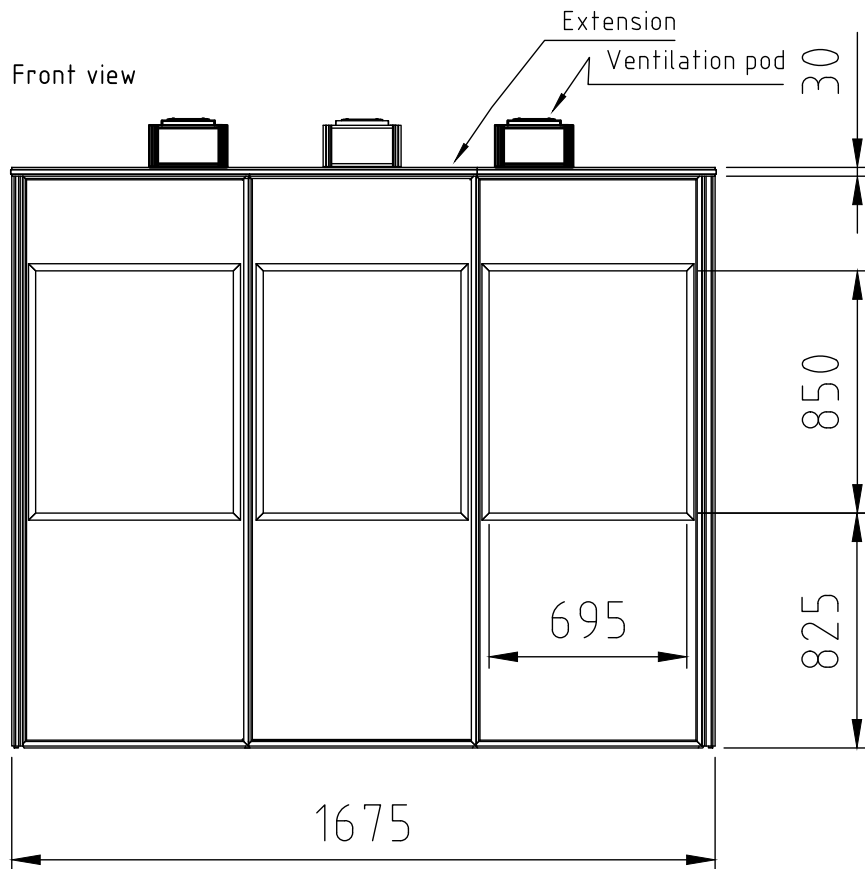
5

6

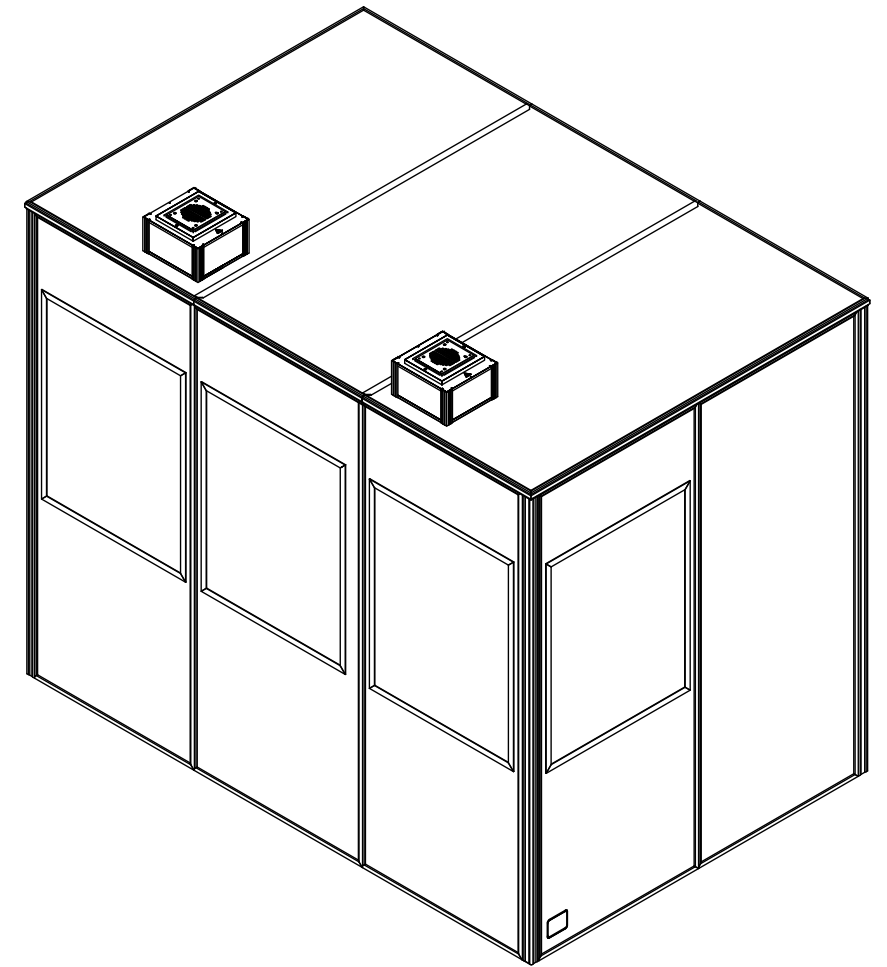
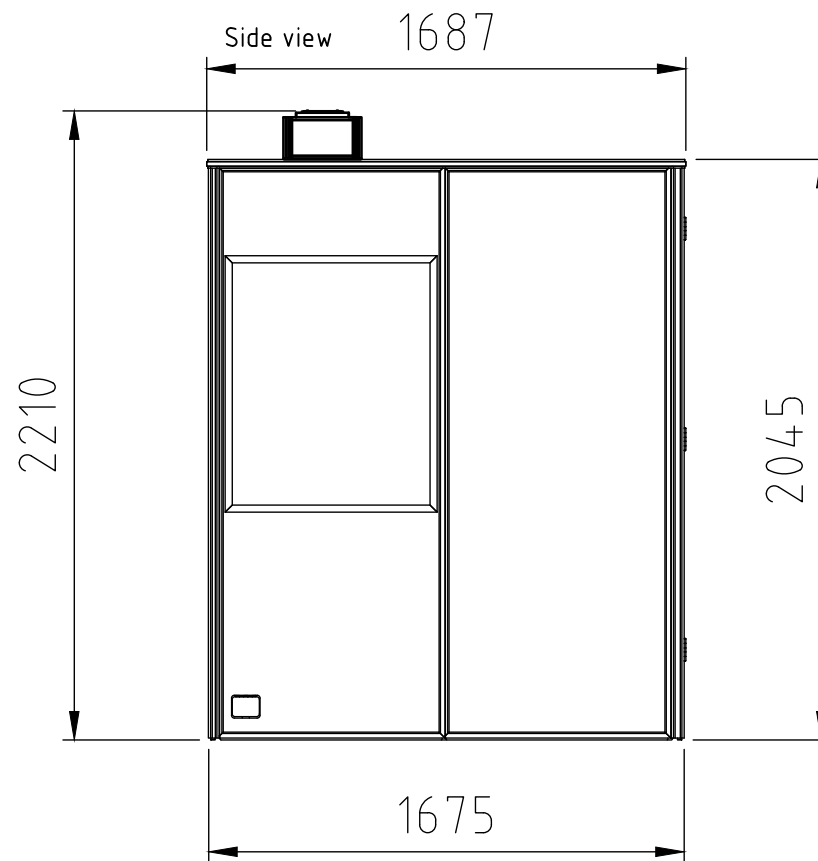
Top view



Front view



Side view




The access door can be placed on any side of the booth.
Default position is at the back.

Standard components:

- 2 window panels
- 2 window panel with cable hatch
- 3 blind panels (1 with coat hanger)
- 1 door panel
- 2 roof panel
- 1 acoustic table
- 1 assembly alan key
- 2 ventilation units
- 4 corner posts

Extension:

- 1 window panel
- 1 x blind panel
- 1 x roof panel
- 1 x acoustic table extension

 <p>AUDIPACK Industriestraat 2 2751 GT Moerkapelle The Netherlands tel. +31(0)795931671 fax. +31(0)795933115 www.Audipack.com</p>	<p>Material: Treatment:</p>	<p>TOLERANCES, UNLESS NOTED OTHERWISE: ISO 2768-m</p>
	<p>Drawn by: JR. vd Berg Date: 28-05-2021</p> <p>Checked by:</p> <p>Appr. by:</p>	<p>Scale: 1:40</p> <p>Format: A4</p>
<p>© COPYRIGHT AUDIPACK This print and the information shown thereon, is the property of AUDIPACK. It may not be delivered to others nor reproduced for general circulation without the written consent of the AUDIPACK engineering department</p>	<p>Description: Silent 9600 interpreter booth tbv.</p>	<p>Part Number: P4601 + extension 3 persons</p>

1

2

3

4

5

6