

1

2

3

4

5

6

A

B

C

D

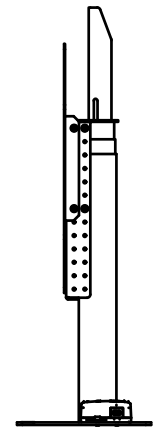
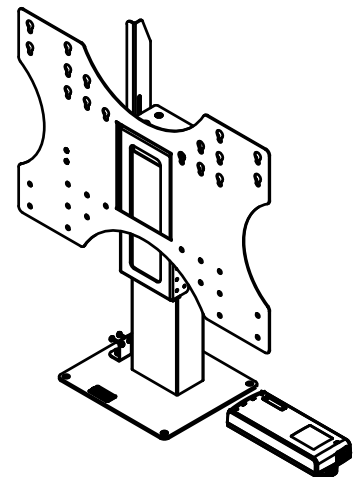
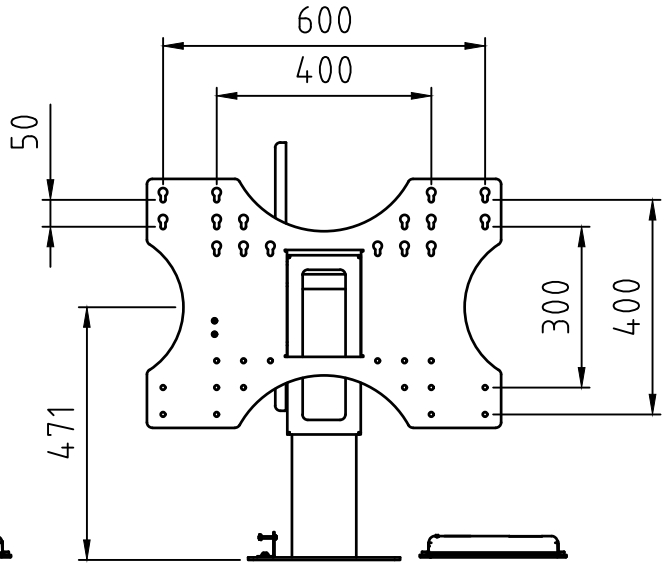
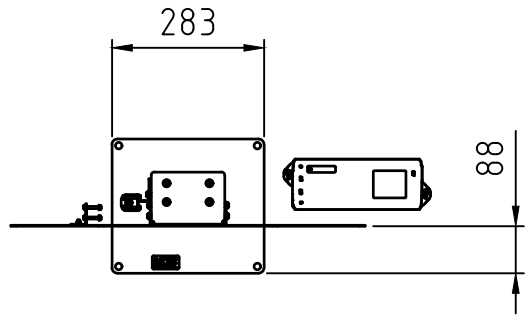
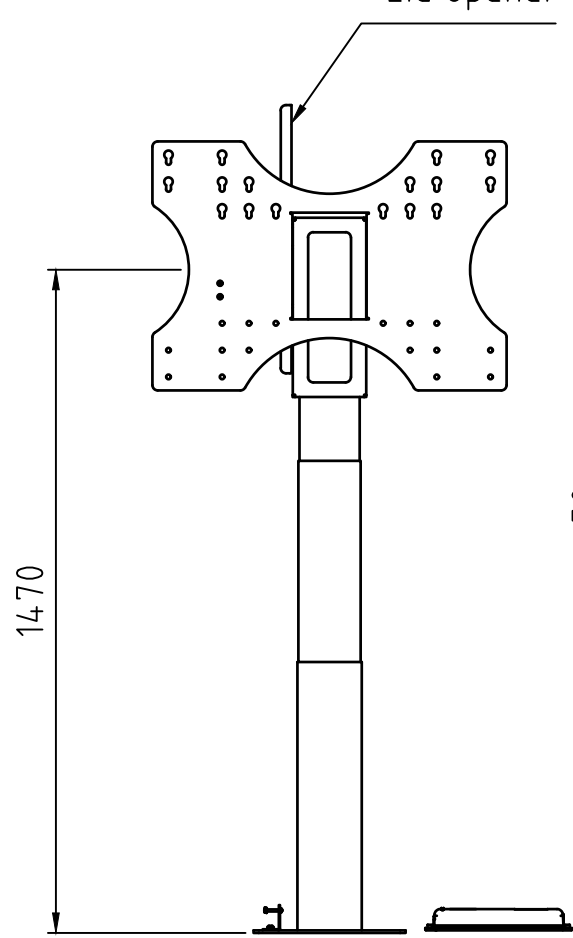
A

B


C

D

Lid opener



The lid opener is a metal part that is height adjustable on the lift. This point pushes the lid open above the screen, Hinges etc are supplied with the lift.  
 Max. lift travel is adjustable with the supplied limiter.  
 The Multi-Vesa plate is height adjustable along the lift column.

 <b>AUDIPACK</b> <small>Industriestraat 2          2251 GJ Hoeragapelle          The Netherlands          tel. +31(0)795931671          fax. +31(0)79593115          www.Audipack.com</small>	Material: Treatment:	TOLERANCES, UNLESS NOTED OTHERWISE: ISO 2768-m
	Drawn by: Name: <b>Julian</b> Date: <b>29-03-2023</b> Checked by: Appr. by:	Sheet: 1 of: 1 Scale: 1:15 Format: A4
<small>© COPYRIGHT AUDIPACK          This print and the information shown thereon, is the property of AUDIPACK.          If any not be delivered to others nor reproduced for general circulation without the written consent of the AUDIPACK engineering department</small>	Description: <b>Lift system</b>	Part Number: <b>FPL-1050</b>

1

2

3

4

5

6