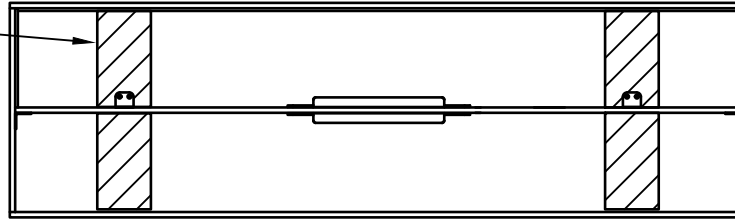


1 2 3 4 5 6

Screen compartment



A

A

B

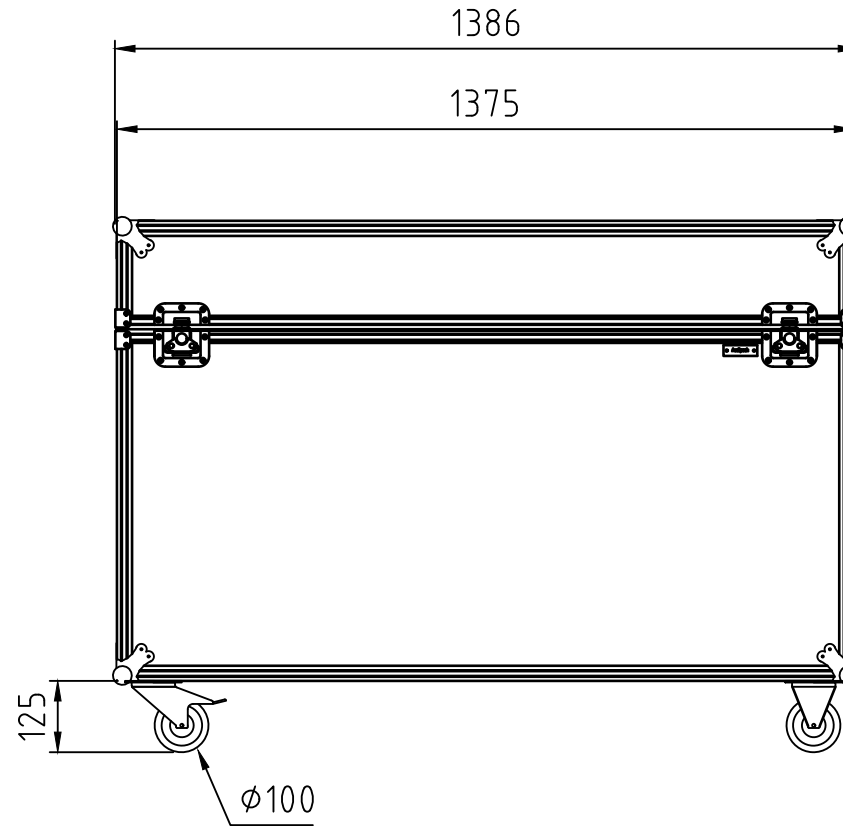
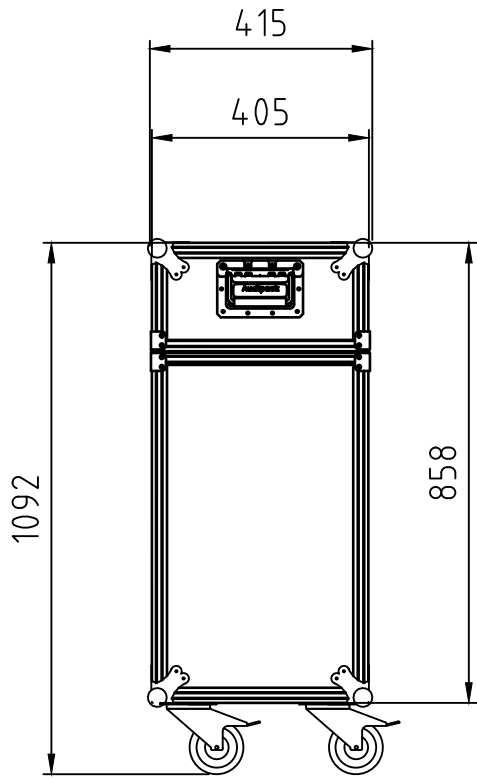
B

C


C

D

D



Screens installed with optional UFFPRO mount
 Incl. accessorie compartment
 Detachebale top lid
 2 grips
 2 x 100 mm lockeable wheels

 AUDIPACK <small>Industriestraat 2 2721 CT Hoogerheide The Netherlands tel. +31(0)795931671 fax. +31(0)795933115 www.Audipack.com</small>	Material: Treatment:	TOLERANCES, UNLESS NOTED OTHERWISE: ISO 2768-m
	Drawn by: Name: Julian Date: 05-07-2021 Checked by: Appr. by:	Sheet: 1 of 1 Scale: 1:15 Format: A4
<small>© COPYRIGHT AUDIPACK This print and the information shown thereon, is the property of AUDIPACK. If may not be delivered to others nor reproduced for general circulation without the written consent of the AUDIPACK engineering department.</small>	Description: Universal flightcase up to 55" <small>Dual screens</small>	Part Number: FCFP-5255DW

1 2 3 4 5 6