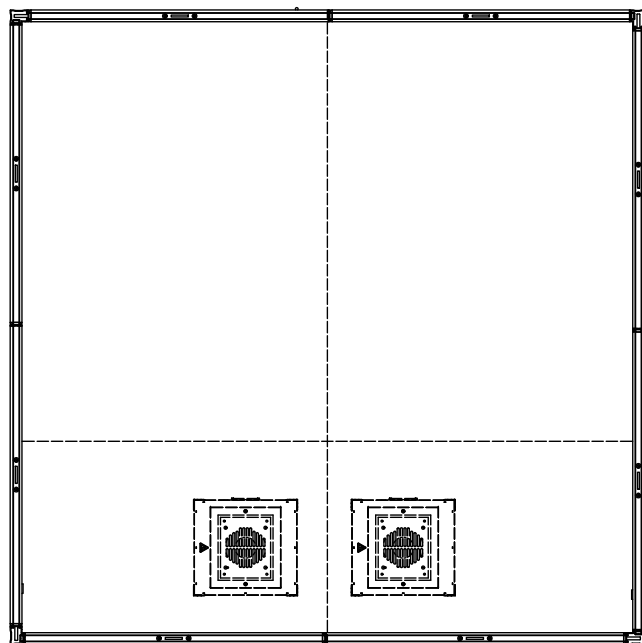
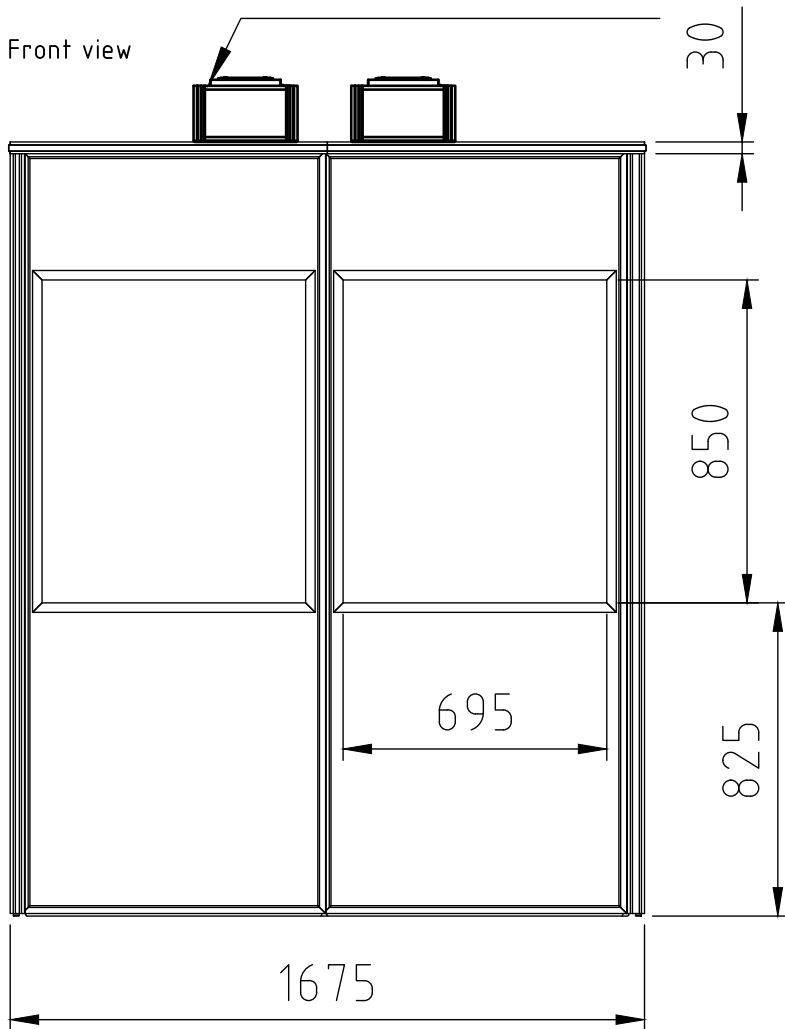


Top view

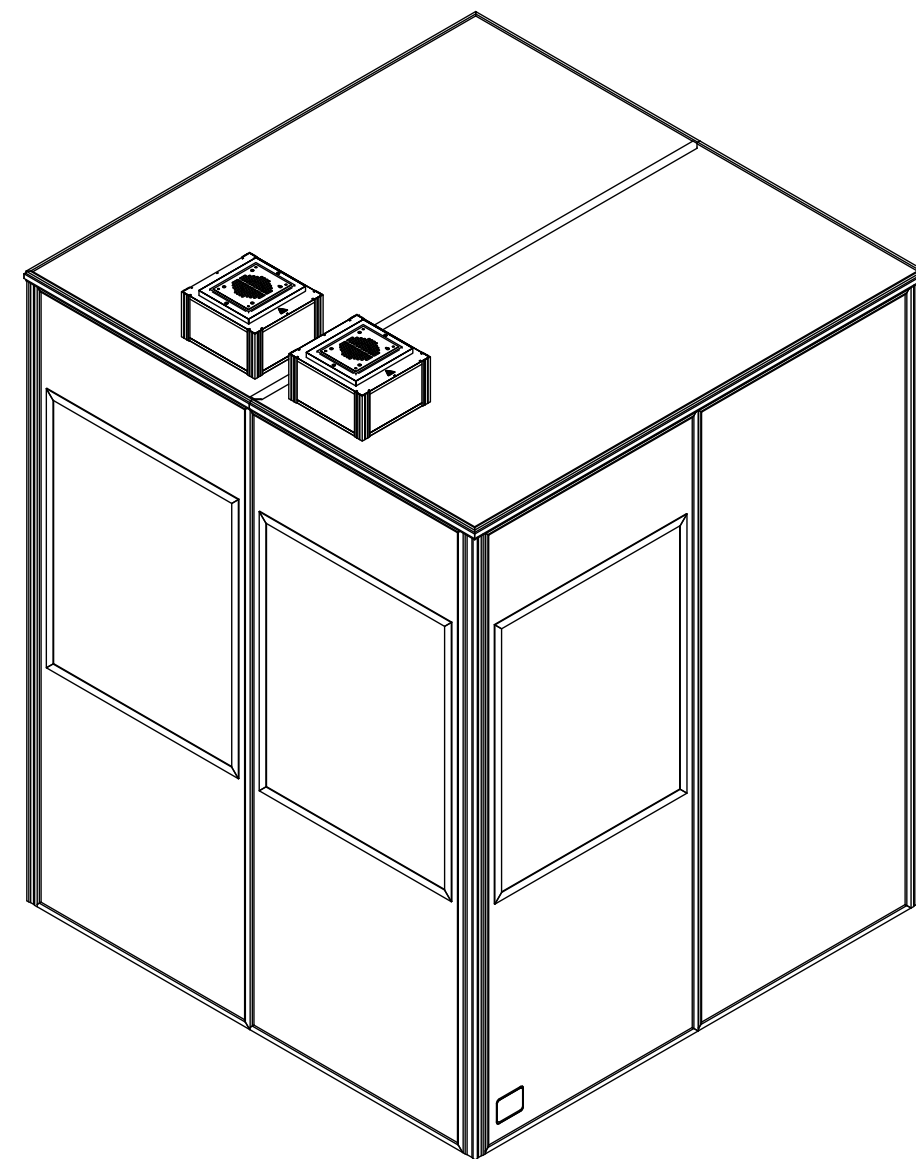
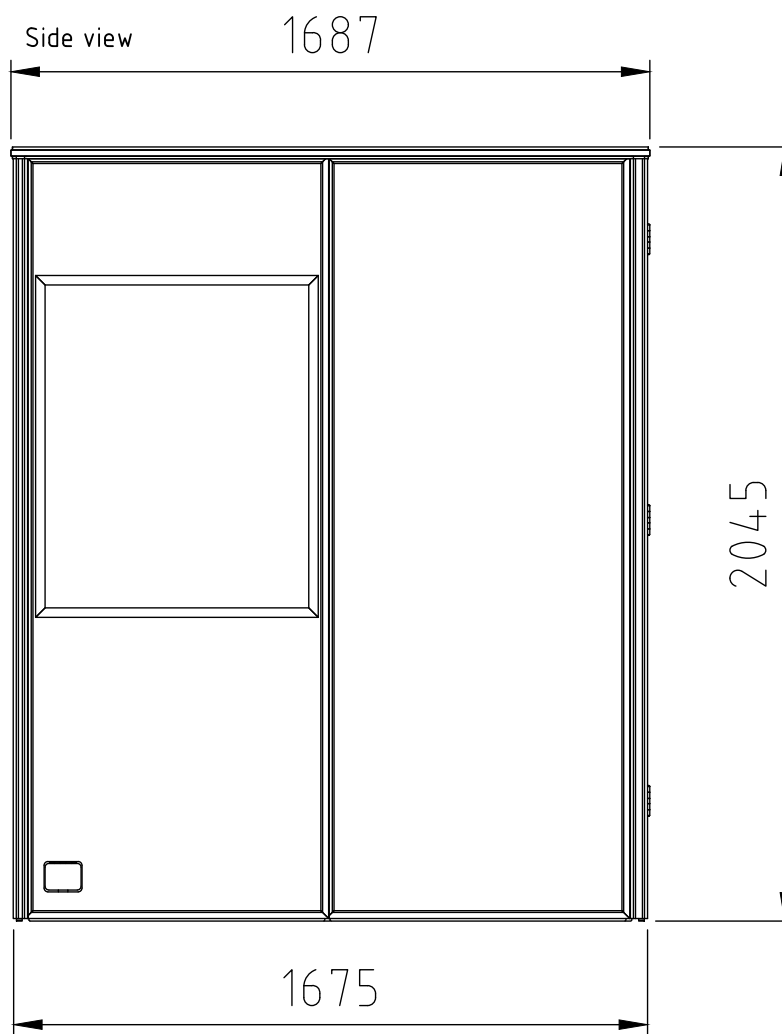


Ventilation pod

Front view




Side view



The access door can be placed on any side of the booth.
Default position is at the back.

Standard components:

- 2x P220386 - window panel
- 1x P220387 - window panel with cable hatch left
- 1x P220388 - window panel with cable hatch right
- 2x P220384 - blind panels
- 1x P220385 - blind panels with coat hanger
- 1x P220389 - Door panel
- 1x P220390 - Roof panel (male connection + LED lighting)
- 1x P220391 - Roof panel (female connection + LED lighting)
- 1x P4611 - Acoustic table
- 1x P2319 - Assembly hex key
- 1x P4321 - Ventilation unit
- 1x P4620 - Ventilation unit, 1 with LED driver + dimmer
- 4x P4150 - Corner post set

 <p>AUDIPACK Industriestraat 2 2751 GT Moerkapelle The Netherlands tel. +31(0)795931671 fax. +31(0)795933115 www.Audipack.com</p> <p>© COPYRIGHT AUDIPACK This print and the information shown thereon, is the property of AUDIPACK. It may not be delivered to others nor reproduced for general circulation without the written consent of the AUDIPACK engineering department</p>	<p>Material: Treatment:</p>	<p>TOLERANCES, UNLESS NOTED OTHERWISE: ISO 2768-m</p>
	<p>Drawn by: JR. vd Berg Date: 11-03-2019</p> <p>Checked by: Appr. by:</p>	<p>Name: JR. vd Berg Date: 11-03-2019</p> <p>Scale: 1:30 Format: A4</p>
<p>Description: Silent 9600 interpreter booth MKII 2 persons</p>	<p>Part Number: P220450</p>	<p>DO NOT SCALE PRINT</p>