

1

2

3

4

5

6

A

B

C

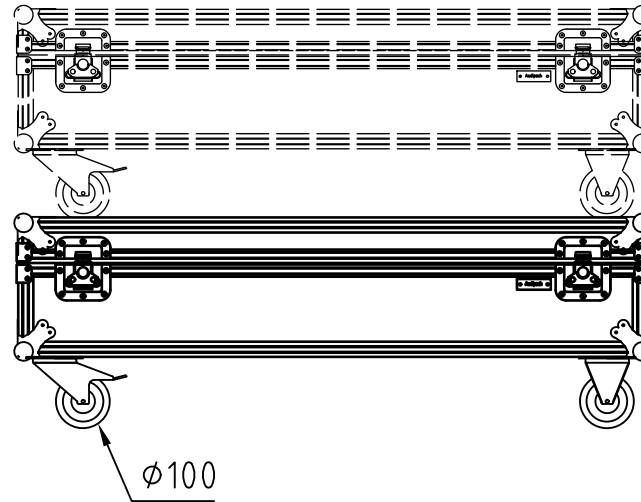
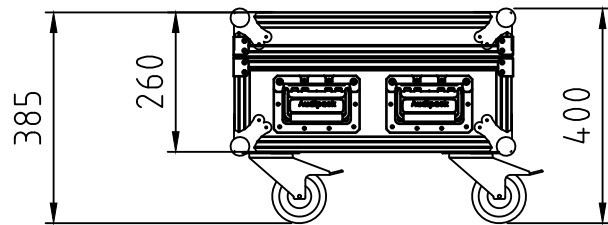
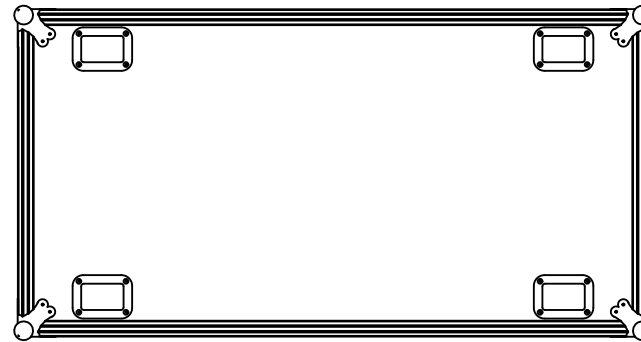
D

A

B

C

D



Stackeable flightcase
Suitable for 390701 / 390702

1


2

3

4

5

6

 AUDIPACK <small>Industriestraat 2 2721 CT Hoerksapelle The Netherlands</small> <small>tel. +31(0)795931671 fax. +31(0)795933115 www.Audipack.com</small>	Material: Treatment:	TOLERANCES, UNLESS NOTED OTHERWISE: ISO 2768-m
	Name: Julian Date: 10-06-2022 Drawn by: Checked by: Appr. by:	Sheet: 1 of: 1 Scale: 1:15 Format: A4
<small>© COPYRIGHT AUDIPACK This print and the information shown thereon, is the property of AUDIPACK. If may not be delivered to others nor reproduced for general circulation without the written consent of the AUDIPACK engineering department</small>	Description: Flightcase for 390701/702	Part Number: FC-FS701T