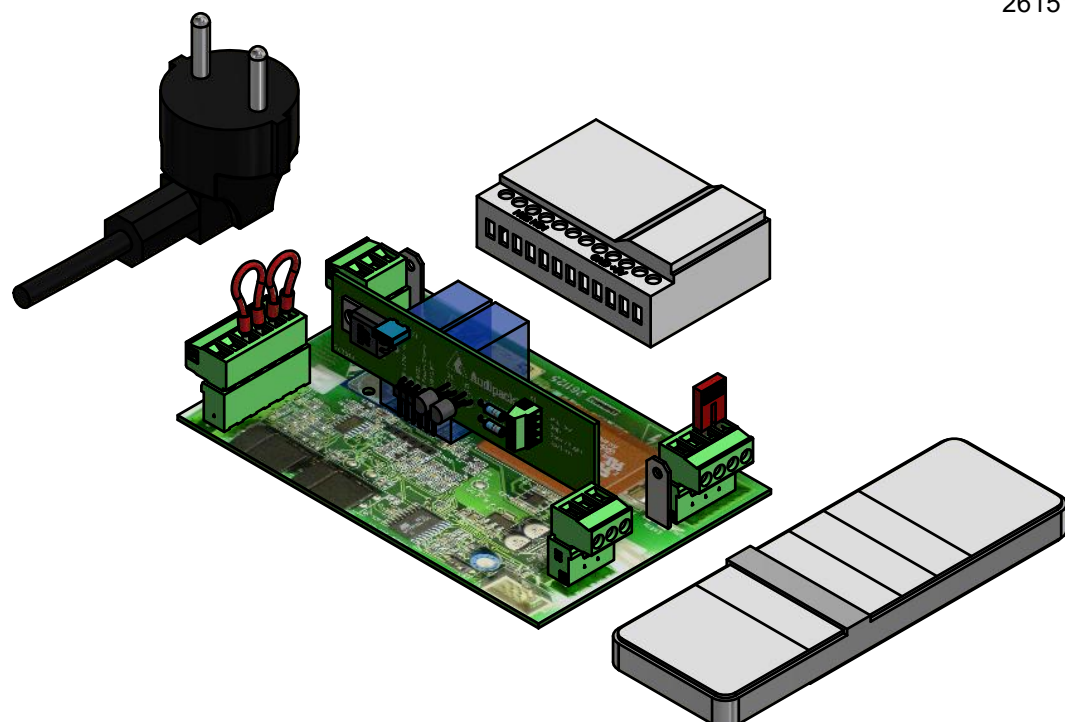



Battery CR2450N (Included)



- Optional PCB:**
- 261125 230 VAC motor PCB
 - 261195 Potential free PCB
 - 261287 RS232 PCB
 - 261377 RS232 PCB
 - 261427 24 volt PCB
 - 261138 3-way PCB

NOTE: All dimensions are ±..., in mm and subject to change

Dimensions are indications, not to be used for any preparations. No rights can be derived from the above dimensions.

<p>© COPYRIGHT AUDIPACK This print and the information shown thereon, is the property of AUDIPACK. It may not be delivered to others nor reproduced for general circulation without the written consent of the AUDIPACK engineering department.</p>	 <p>AUDIPACK Industriestraat 2-4 2751 GT Moerkapelle the Netherlands Tel: +31(0)795931671 Fax: +31(0)795933115 www.audipack.com</p>
<p>PRESENTATION 261436</p>	<p>AFSTANDSBEDIENING SET</p>