

Wall arms

for flat panels

Audipack flat panel swivelling wall arms;

a world standard in stability and ease of use.



Audipack®

It's great to have solutions...

Relax and enjoy

the flexibility



Enjoy your flat panel from anywhere in the room.

Face the screen towards your kitchen, child's play area or your guests. The clean lines of the design negate the need for complex supports.

These extremely stable wall arms allow the flat panel to be set in any position. Their minimalistic looks and neat dimensions ensure the attention is focused on the screen rather than the wall arm. All cables are hidden in the arm itself, so unsightly wiring is out of sight.

Use the **Screen-Crawler** (SC-200) Installation Aid for safe installation of large, heavy screens. (See page 56)



- ▲ **Rigid and safe construction**
- ▲ **Lockable in every position**
- ▲ **Very flexible in use**
- ▲ **Integrated cable duct in swing arms and wall plate**



All cables out of sight through the arm



Lockable in position



L&S 3 mounting interface

NEW

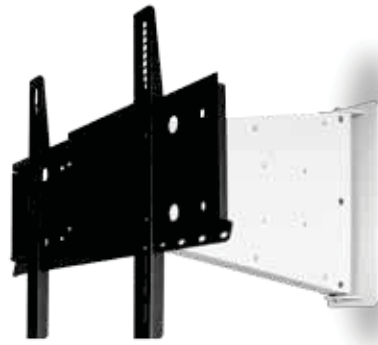
WALL ARMS ALL-IN-ONE PROJECT SOLUTION - UNIVERSAL

- ▲ **Swiveling wall arm, left/right orientation**
- ▲ **Universal mounting interface**
- ▲ **Integrated space for cables and equipment**

A good tool helps you do a great job, the right product helps you do it faster!

These wall arms have an integrated space for media player/pc and 3-way power strip (type F, CEE 7/4).

A perfect solution that results in a clean installation and saves you a lot of installation time.



Ref.	FWA-500	FWA-700
Max. wall offset in mm	500	700
Mounting range	W 690 x H 446	W 690 x H 446
Mounting interface	Universal	Universal

Max. 65

Max. 30



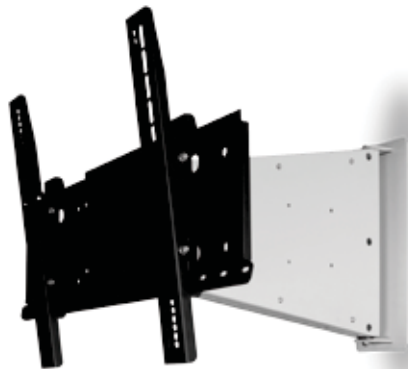
Black version



Rear view



Integrated space for media player



Ref.	FWA-500i	FWA-700i
Max. wall offset in mm	500	700
Mounting range	W 690 x H 446	W 690 x H 446
Inclination angle	-10 / 0 / +10°	-10 / 0 / +10°
Mounting interface	Universal	Universal

Max. 65

Max. 30

WALL ARMS WITH L&S 3 + VESA



Ref.	390614
Dimensions in mm	W 801 x D 88 x H 310
Max. wall offset in mm	700
Nett weight	14 Kg
Mounting interface	VESA 75, 100 & 200 x 100

Max. 65

Max. 65

WALL ARMS

DOUBLE SWIVELLING WALL ARM WITH L&S 3 + VESA**Ref.****390695**

Dimensions in mm
 Max. wall offset in mm
 Nett weight
 Mounting interface

W 650 x D 115 x H 483
1087
 23 Kg
 VESA 75, 100 & 200 x 100

**ACCESSORIES****MOUNTING BRACKETS FOR FLAT PANELS (SEE PAGE 47 FOR THE FULL PROGRAM)**

Mount any brand and type of flat panel on any Audipack system with the Audipack mounting brackets.



UFPRO series



Brand related mounts



VESA mounts

MOUNTING CAMS FOR DIRECT VESA MOUNTING**RECESSED MOUNTING HOLES**

Ref.

392618
M6 x 13**392318**
M8 x 13**390618**
M10 x 13**392621**
M6 x 35**392620**
M8 x 35