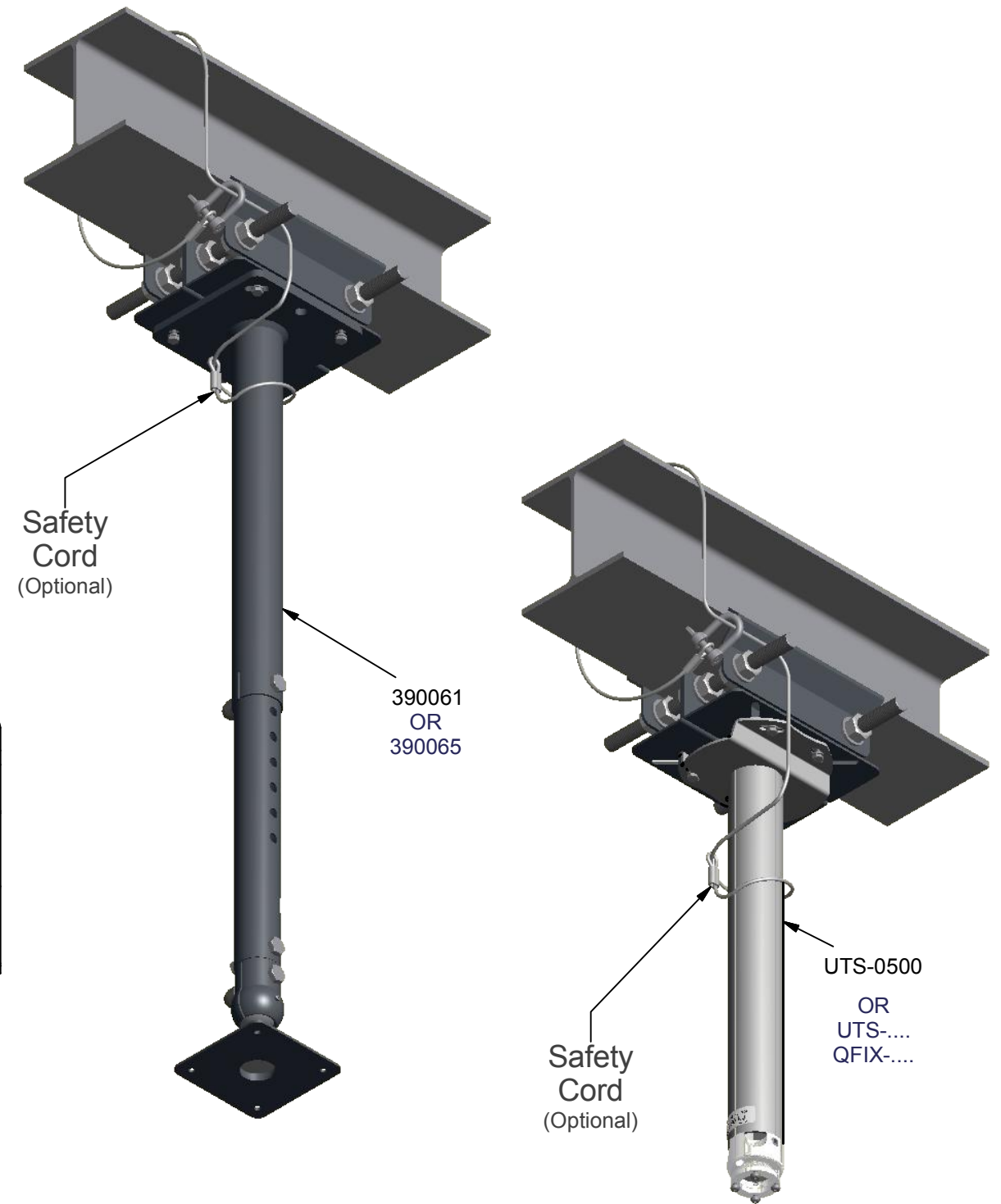


Max.  
50 kg.



NOTE: All dimensions are ±..., in mm and subject to change

© COPYRIGHT AUDIPACK  
This print and the information shown thereon, is the property of AUDIPACK.  
It may not be delivered to others nor reproduced for general circulation without the written consent of the AUDIPACK engineering department.



**AUDIPACK**  
Industriestraat 2-4  
2751 GT Moerkapelle  
the Netherlands  
Tel: +31(0)795931671  
Fax: +31(0)795933115  
www.audipack.com

PRESENTATION

392150

I-BINT MOUNT

Dimensions are indications, not to be used for any preparations. No rights can be derived from the above dimensions.

10-1-2011