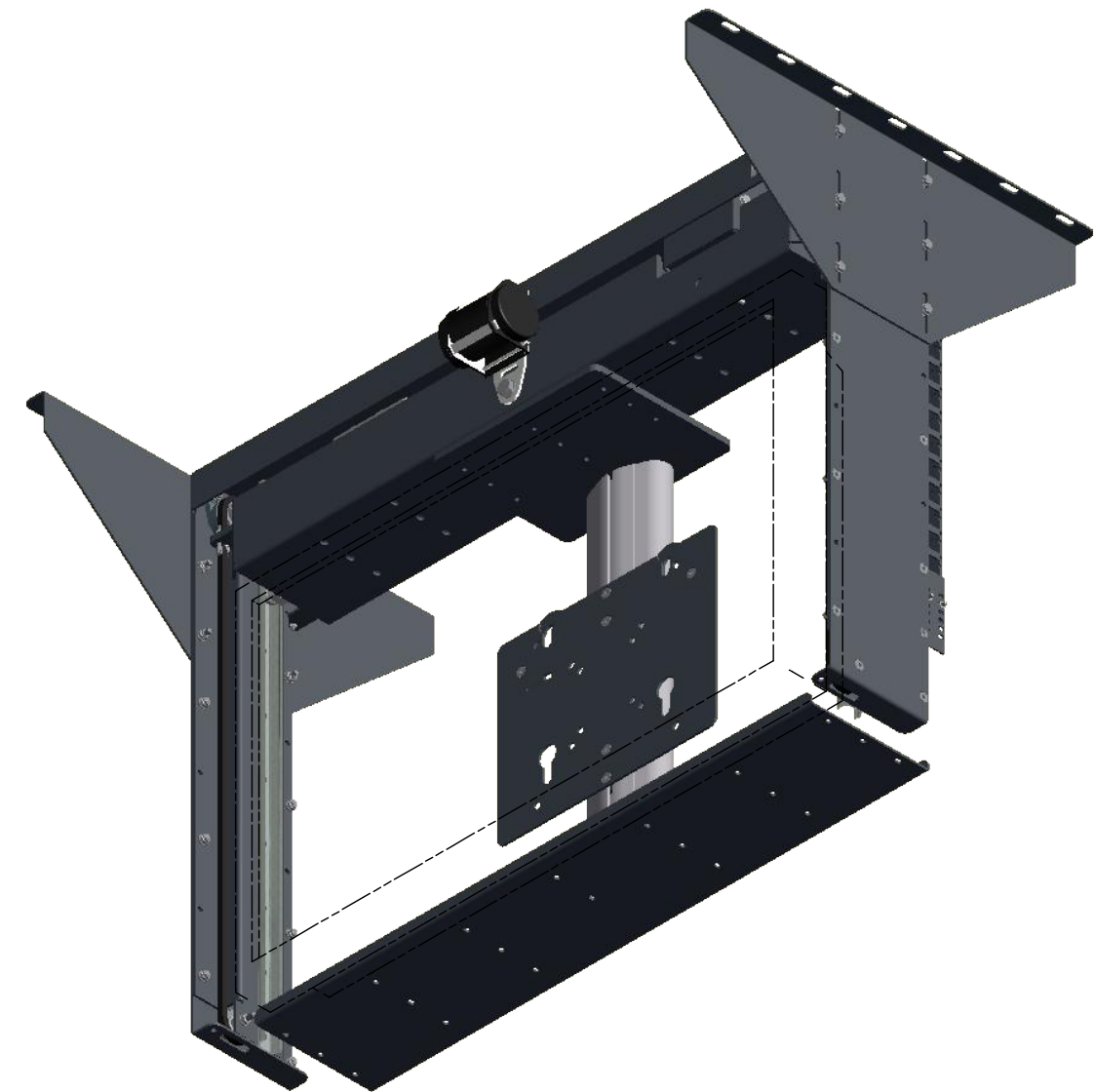
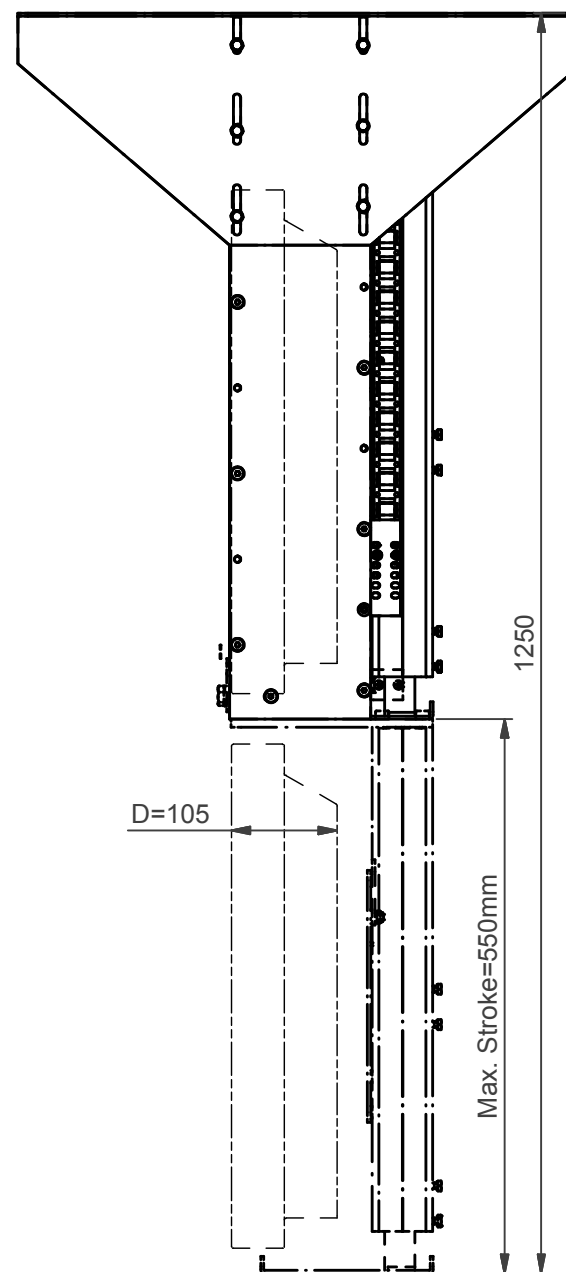


Max. equipment size:


W (width)=800mm
 D (depth)= 135mm-30mm monitor bracket (39....)
 H (height)=500mm

Dimensions are indications, not to be used for any preparations. No rights can be derived from the above dimensions.



U in: 230 VAC 50 Hz
 I in: max. 0.63 A
 U out: 24VDC max 120 VA
 Duty cycle: 5 %, max 1 min./19 min.

NOTE: All dimensions are \pm ..., in mm and subject to change

<p>© COPYRIGHT AUDIPACK This print and the information shown thereon, is the property of AUDIPACK. It may not be delivered to others nor reproduced for general circulation without the written consent of the AUDIPACK engineering department.</p>	 <p>AUDIPACK[®]</p> <p>AUDIPACK Industriestraat 2-4 2751 GT Moerkapelle the Netherlands Tel: +31(0)795931671 Fax: +31(0)795933115 www.audipack.com</p>
<p>PRESENTATION</p>	

FCL-A VERTICAL ELECTRIC CEILING LIFT