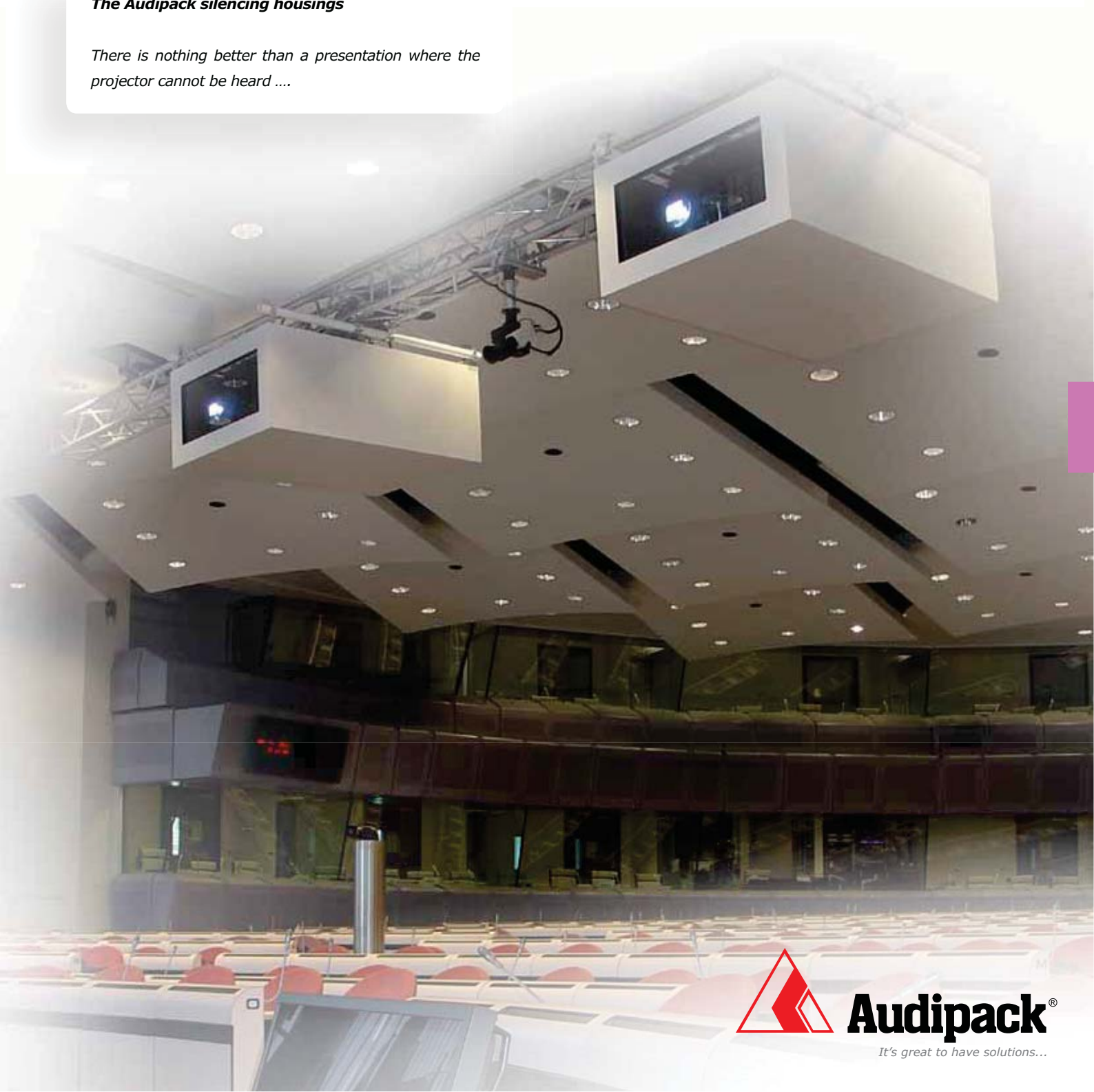


# ***Silencing housings***

***for any projector***

## **The Audipack silencing housings**

*There is nothing better than a presentation where the projector cannot be heard ....*



**Audipack®**

*It's great to have solutions...*

# Reduce the audible noise

**Custom made for each projector**

**of any projector**

## Flightcase model



**This housing absorbs noise levels by isolating the projector and routing the air flow to and from the projector through a muffling filter.**

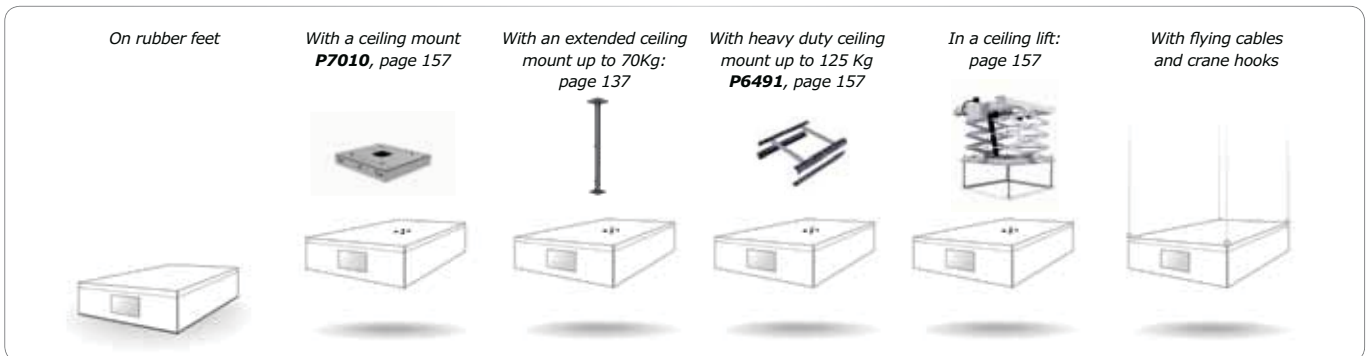
This housing absorbs noise levels by isolating the projector and routing the air flow to and from the projector through a muffling filter. Fans ensure sufficient air flow. The Silencer is equipped with special fans and a special projection glass window in front of the projector lens. The Silencer reduces audible noise by approx. 16 – 20 dBA. It is suitable for inside use only and is available in black, white or grey at standard. Other colours are available on request.

## Projectline "furniture" model



- An Audipack projector mount to fix the projector in the housing is needed when the projector is mounted on an Audipack ceiling lift or ceiling mount, see page 131.
- The Silencer can also be equipped with for example 4 crane hooks to mount the Silencer to a ceiling with steel cables.
- It's also possible to put the Silencer down on installed feet and to locate him anywhere.

## Installation options



- ▲ **Removable bottom** (when ceiling mounted)
- ▲ **Custom build for any projector**
- ▲ **Minimized dimensions**
- ▲ **Available in flightcase and project line finishes**

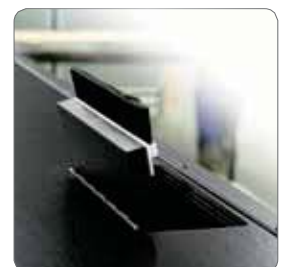
Please refer price list to [www.audipack.com](http://www.audipack.com) for updated models



Run time registration



Optional crane hooks,  
for ceiling mounting



Neatly installed cables